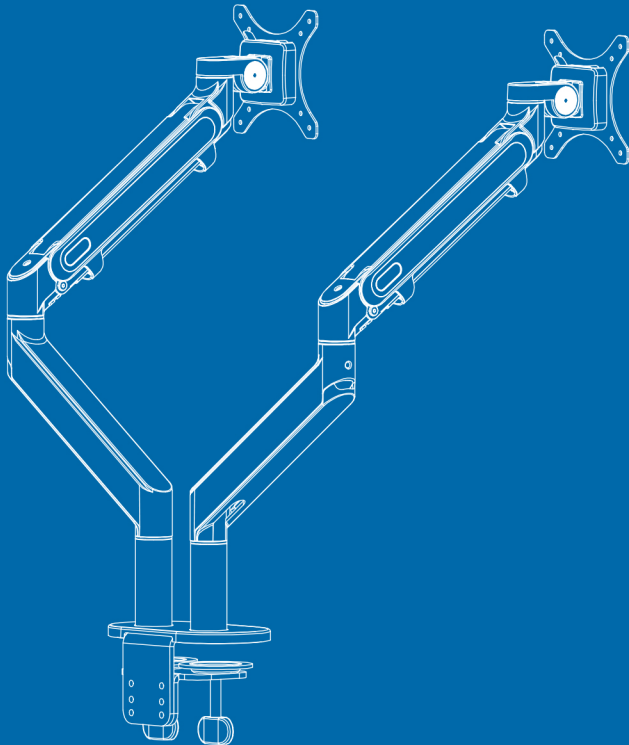


**USER'S MANUAL**  
**Notice de Montage**  
**Gebruikershandleiding**  
**Benutzerhandbuch**  
**Manuale dell'utente**  
**Manual de usuario**  
**Руководство пользователя**  
**Użytkownik manual**



# PARTS AND TOOLS LIST



1 PC  
Base stem



2 PCS  
Rear arm



2PCS  
Forearm



1 PC  
VESA Connector



3mm



4mm



5mm



8PCS (M4)  
VESA connector screws



8PCS (M4)  
VESA connector screws



8PCS  
Screw shim

# SPARE PARTS



1 PC  
Quick-release tab



1 PC  
Arm bracket



2 PCS (M4)  
VESA connector screws

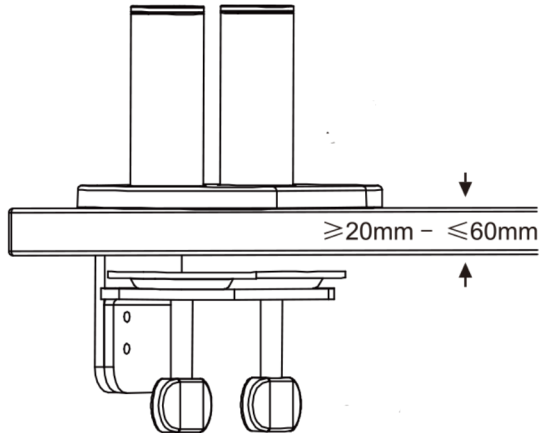


2 PCS (M5)  
VESA connector screws

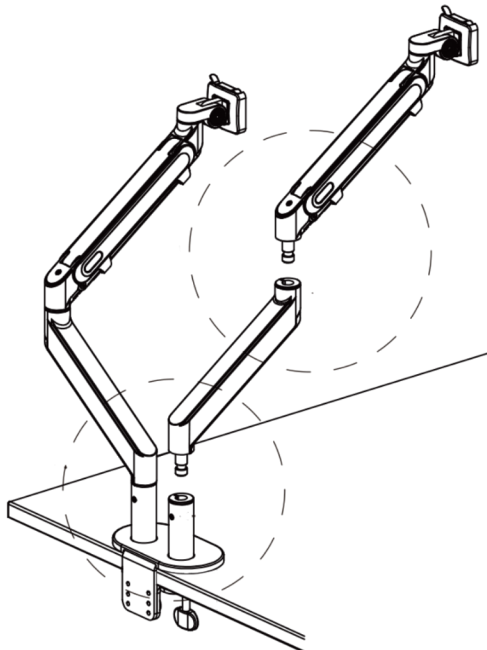


2 PCS (M5)  
VESA connector screws

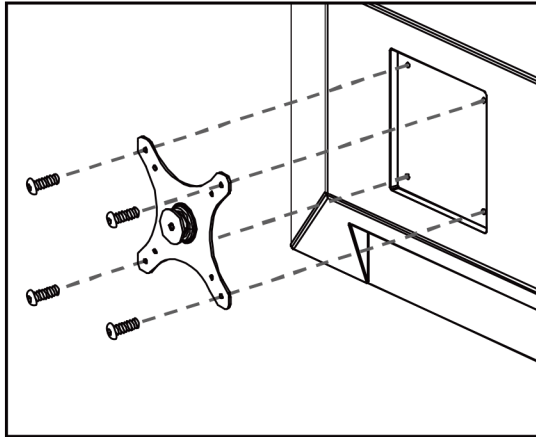
# STEP 1



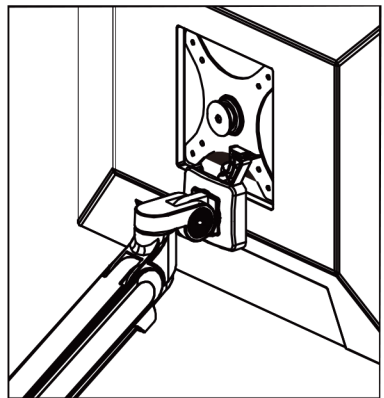
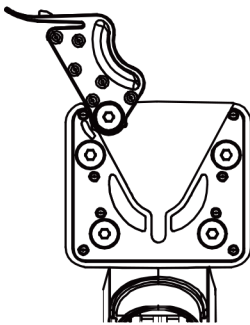
# STEP 2



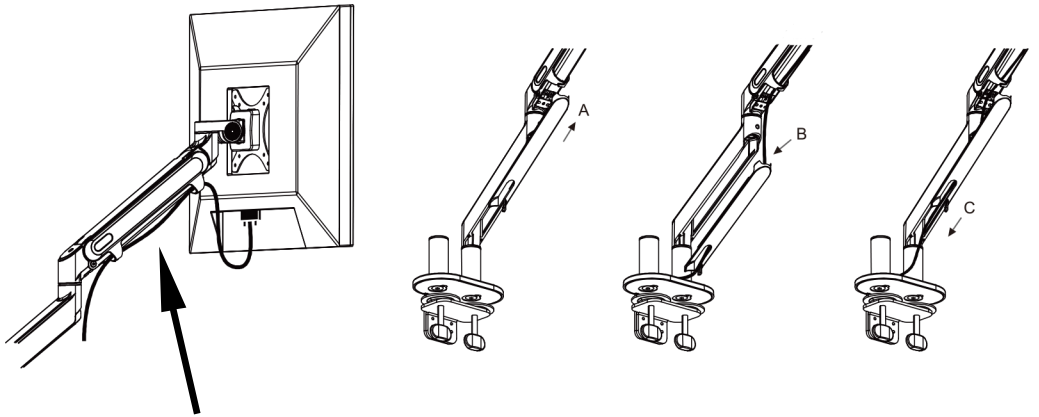
STEP 3



STEP 4



STEP 5



STEP 6

