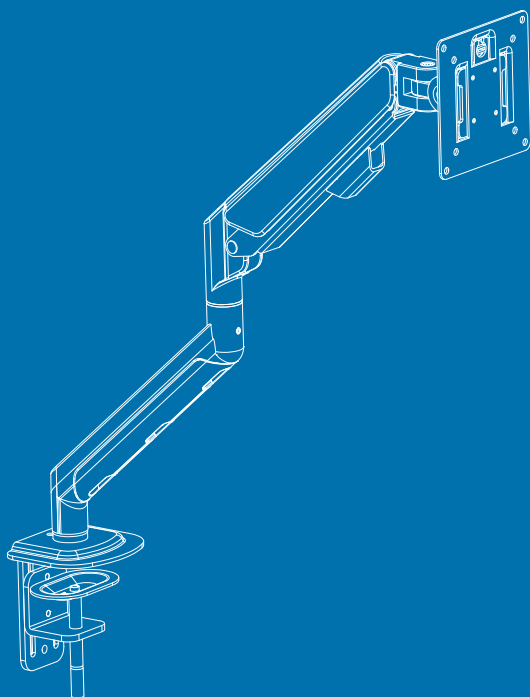
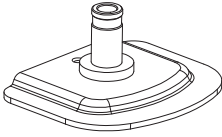


Assembly instructions
Notice de montage
Montage instructies
Montageanleitung
Istruzioni di montaggio
Instrucciones de montaje
Инструкция по сборке
Instrukcje montażu



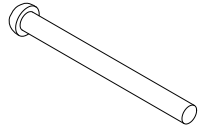
PARTS AND TOOLS LIST



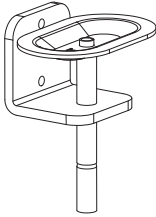
1 (×1)



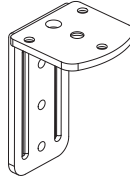
2 (×1)



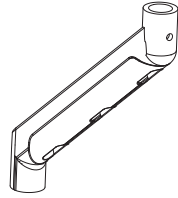
3 (×1)



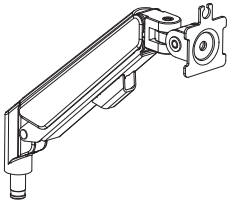
4 (×1)



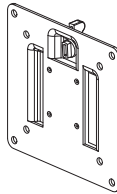
5 (×1)



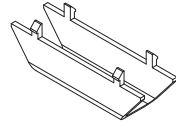
6 (×1)



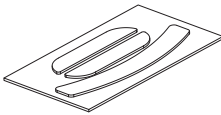
7 (×1)



8 (×1)



9 (×1)



10 (×1)



M4×10 (×4)
A



M5×10 (×4)
B



M8×16 (×1)
C



M6×10 (×2)
D



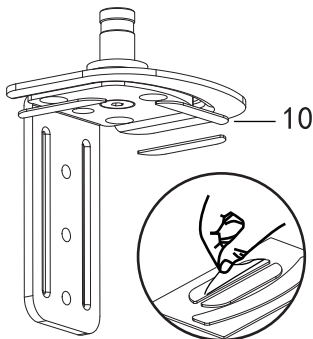
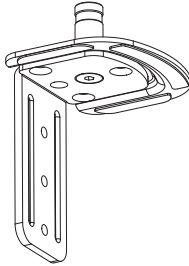
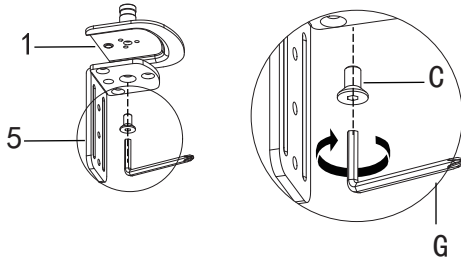
3MM (×1)
E



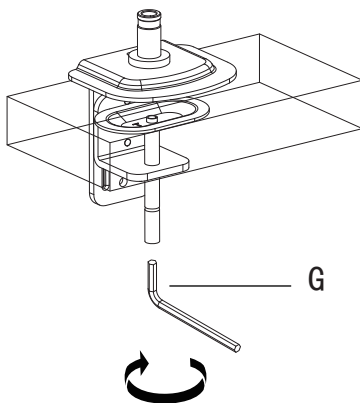
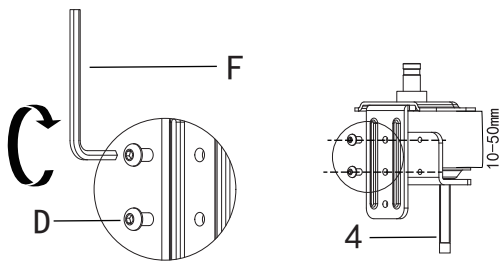
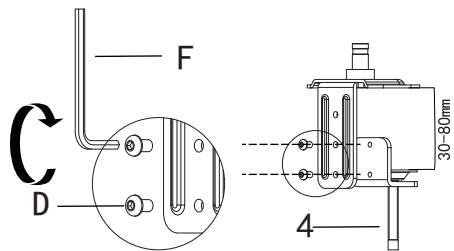
4MM (×1)
F

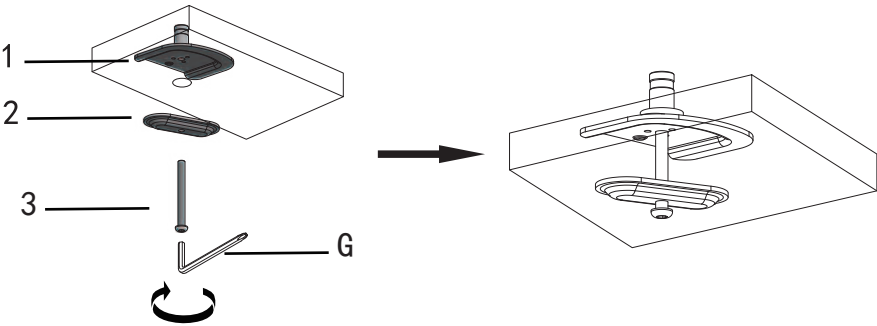
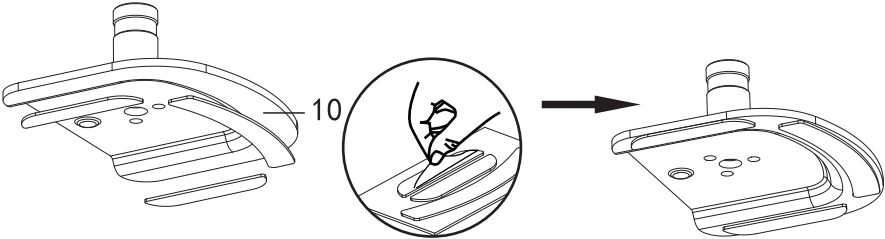


5MM (×1)
G

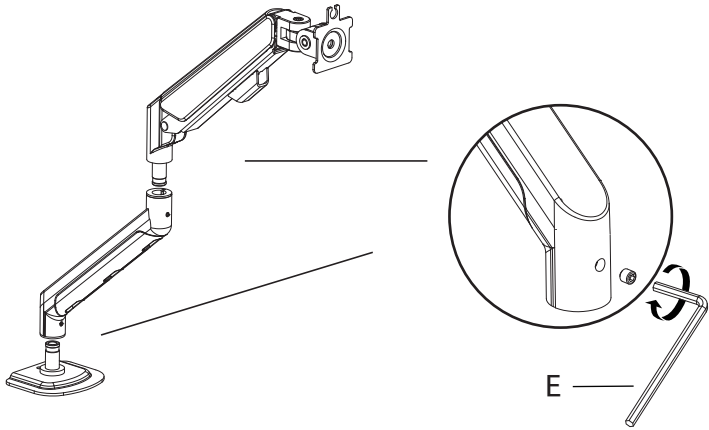
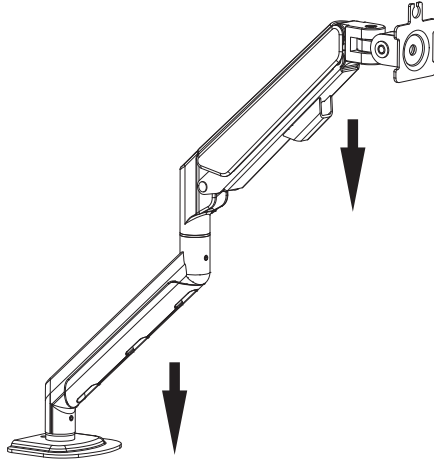


Method 1 STEP 2

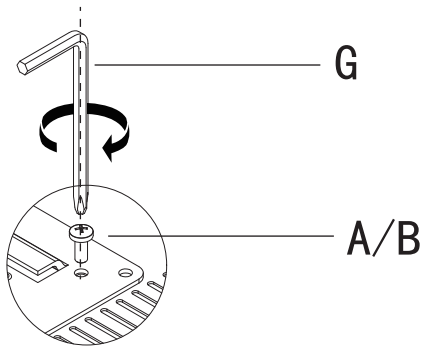
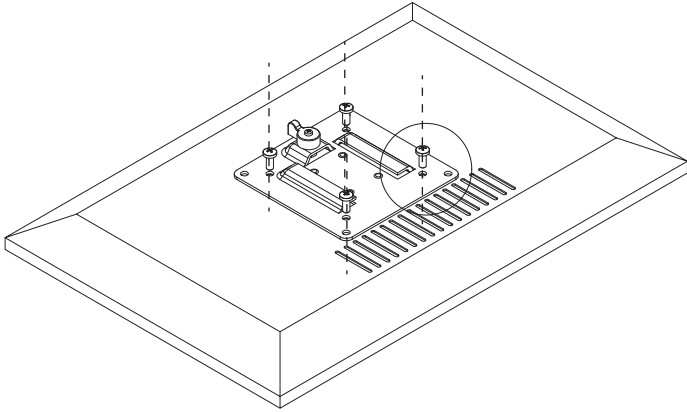




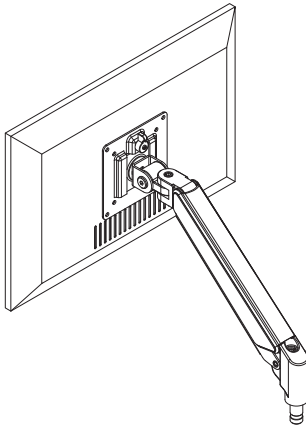
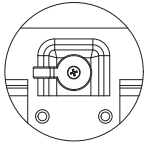
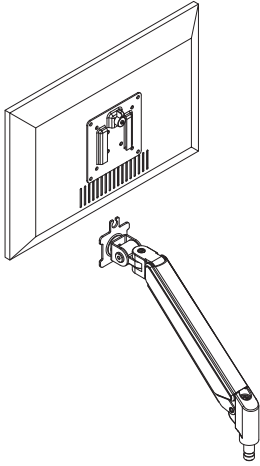
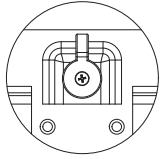
STEP 2



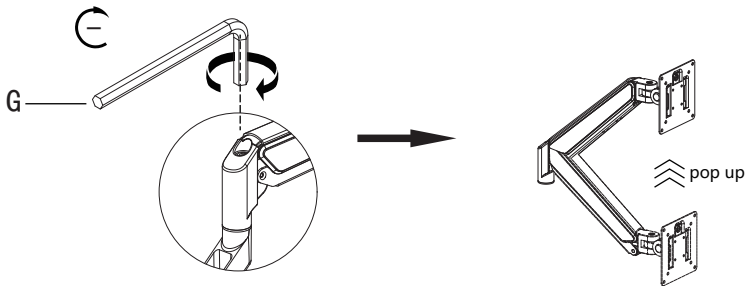
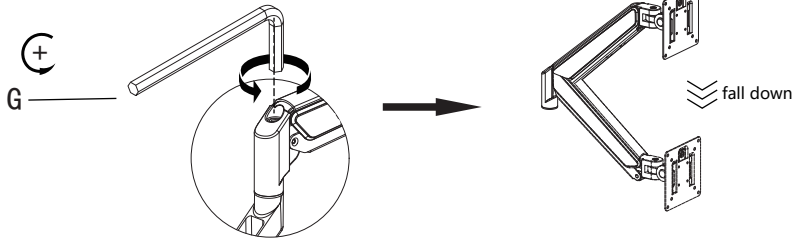
STEP 3



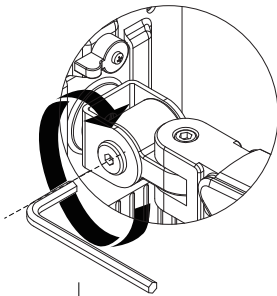
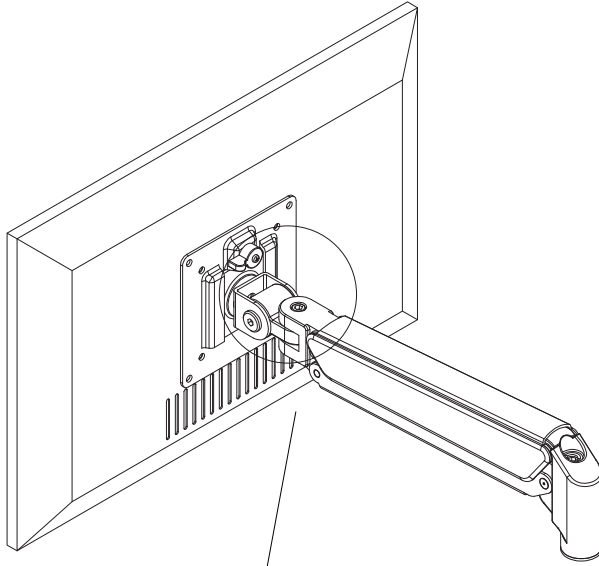
STEP 4



STEP 5



STEP 6

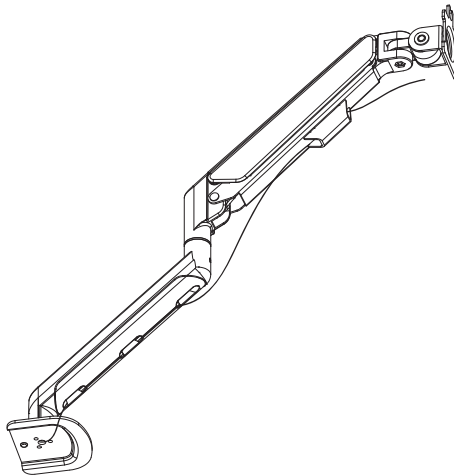
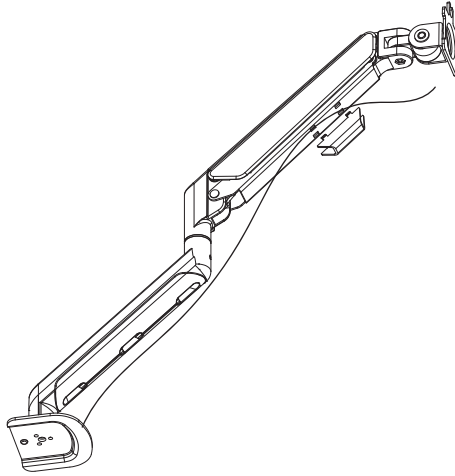


G

(+) Turn clockwise to tighten

(-) Turn counterclockwise to loose

STEP 7



STEP 8

