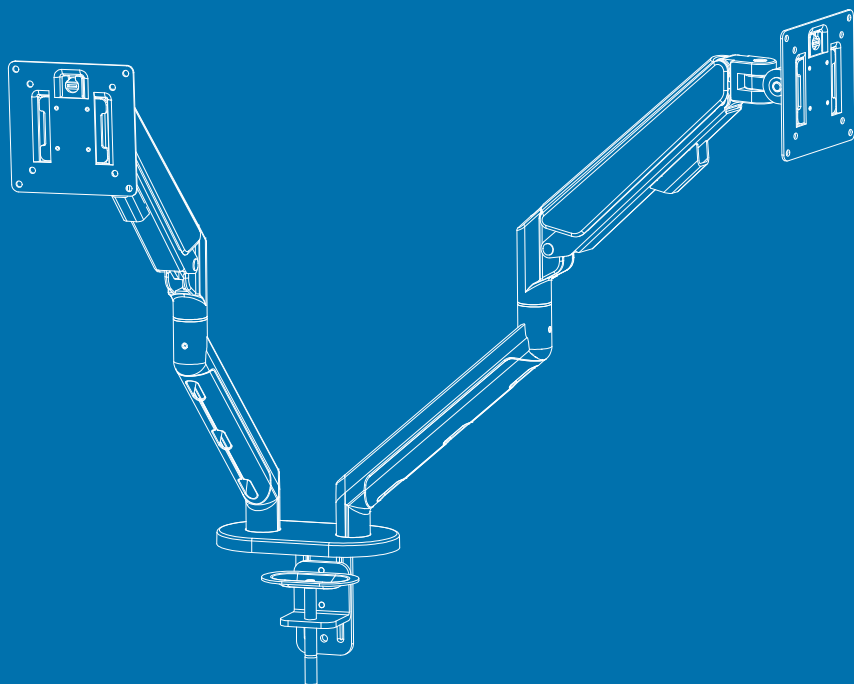
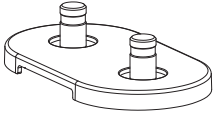


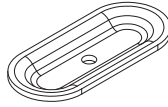
Assembly instructions
Notice de montage
Montage instructies
Montageanleitung
Istruzioni di montaggio
Instrucciones de montaje
Инструкция по сборке
Instrukcje montażu



PARTS AND TOOLS LIST



1 (×1)



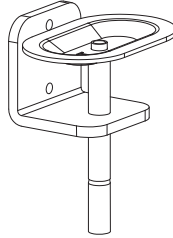
2 (×1)



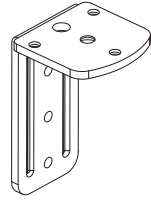
3 (×1)



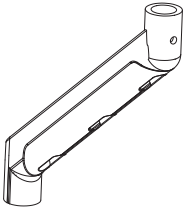
4 (×2)



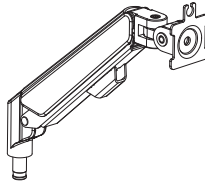
5 (×1)



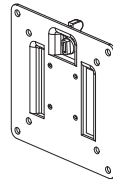
6 (×1)



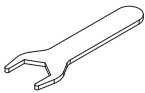
7 (×2)



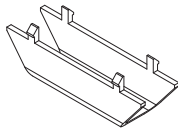
8 (×2)



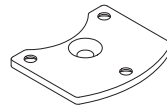
9 (×2)



10 (×1)



11 (×2)



12 (×1)



13 (×1)



M4×10 (×8)
A



M5×10 (×8)
B



M6×9 (×3)
C



M6×10 (×2)
D



3MM (×1)
E

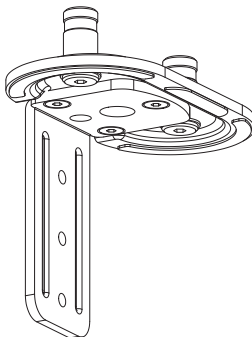
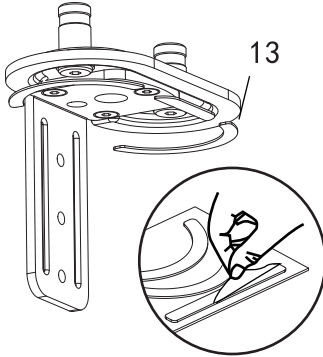
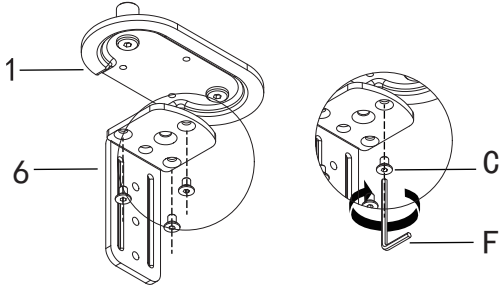


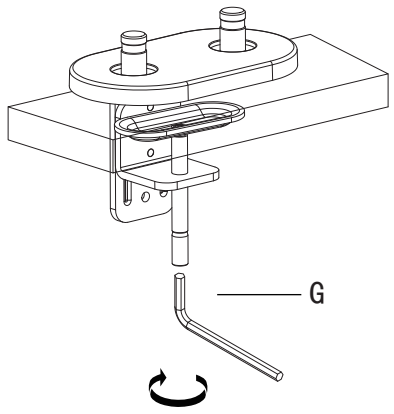
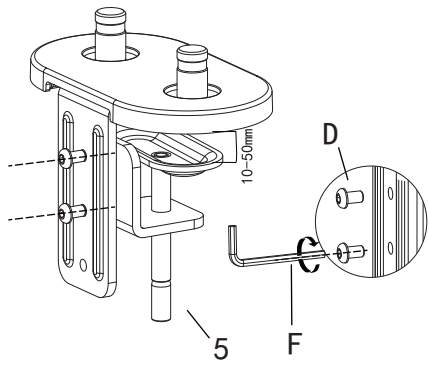
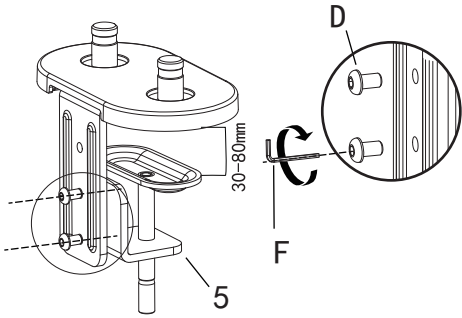
4MM (×1)
F

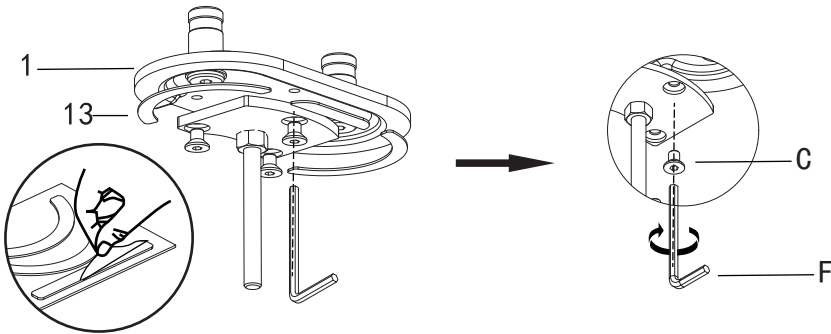
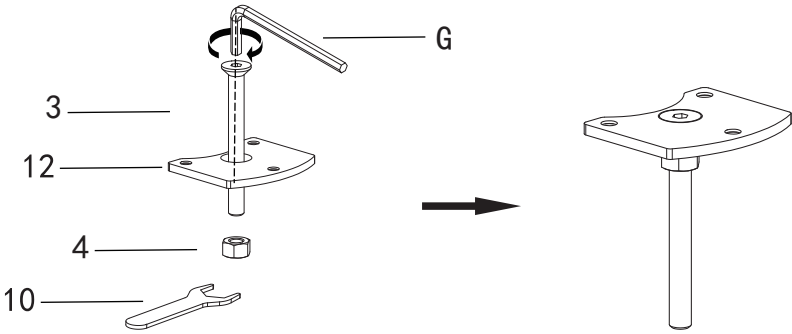


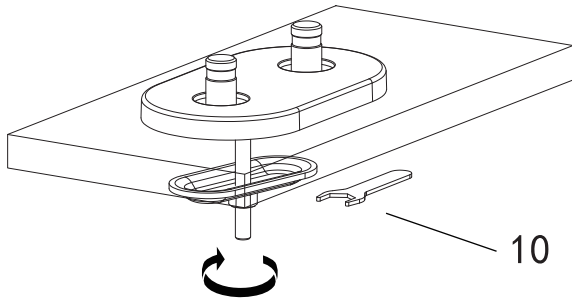
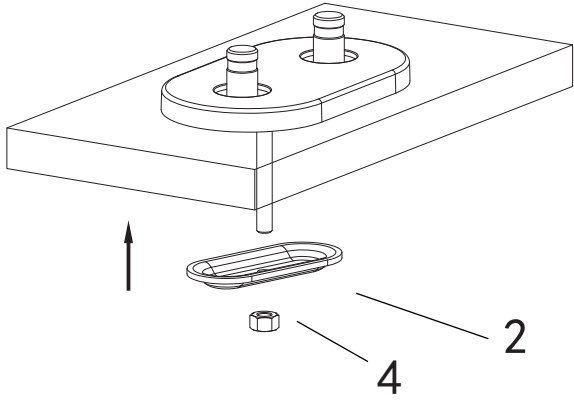
5MM (×1)
G

Method 1 STEP 1

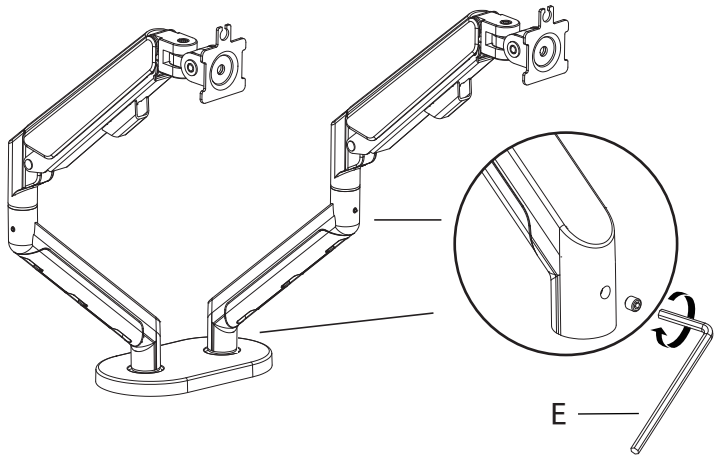
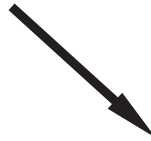
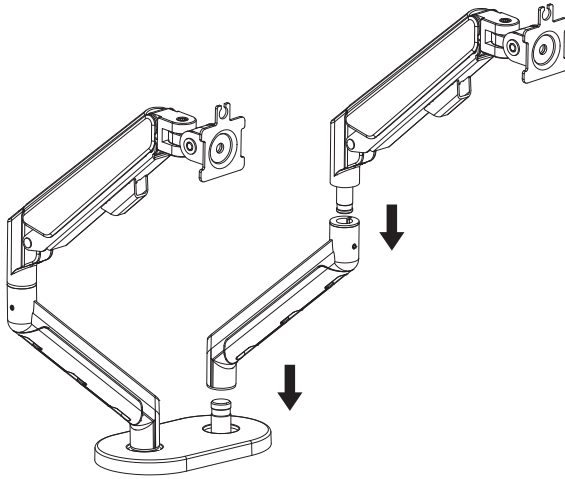




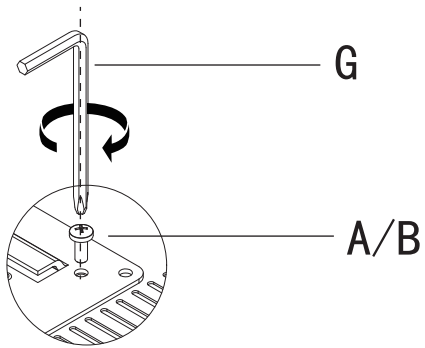
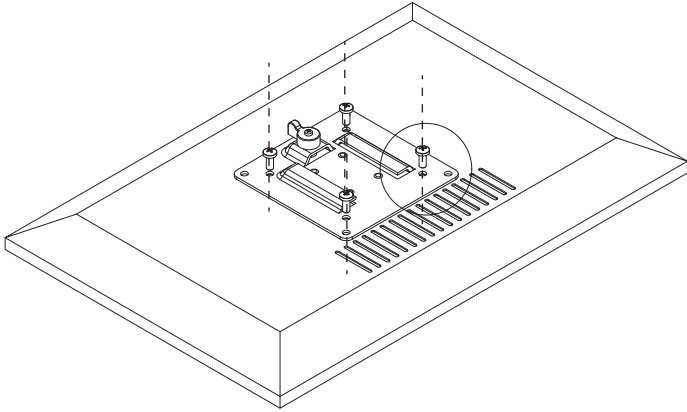




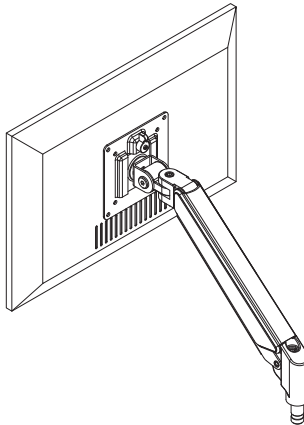
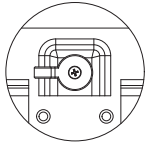
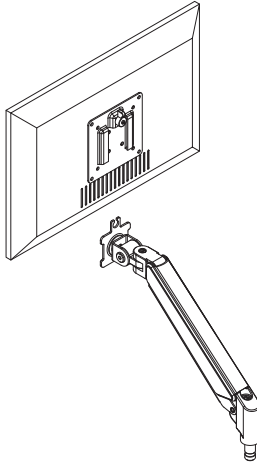
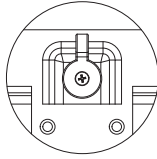
STEP 2



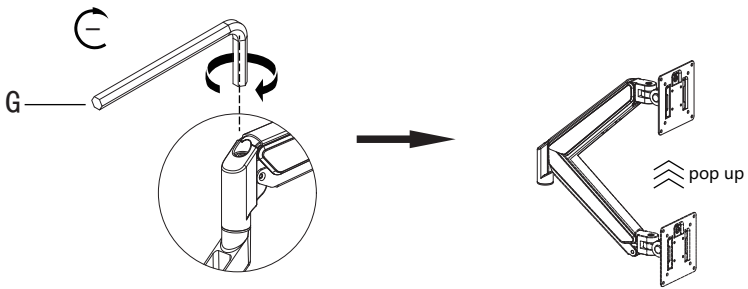
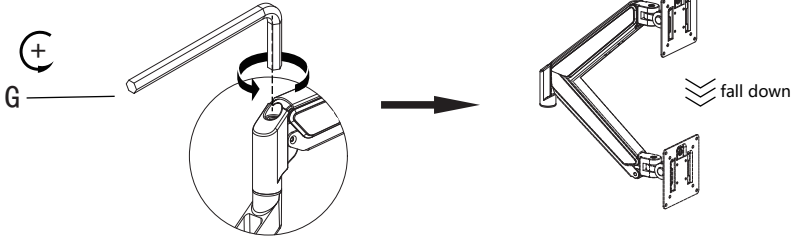
STEP 3



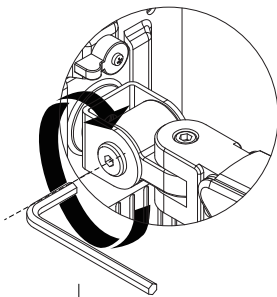
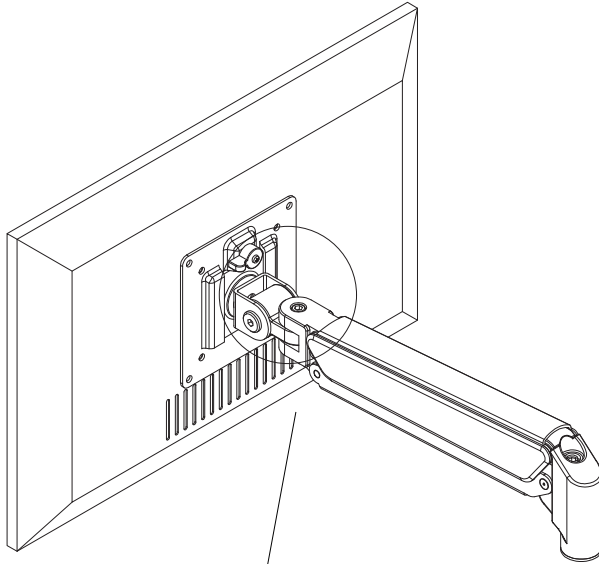
STEP 4



STEP 5



STEP 6

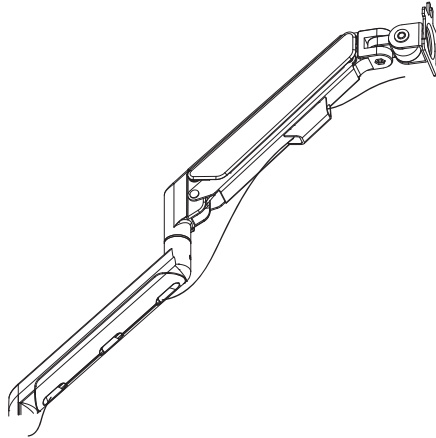
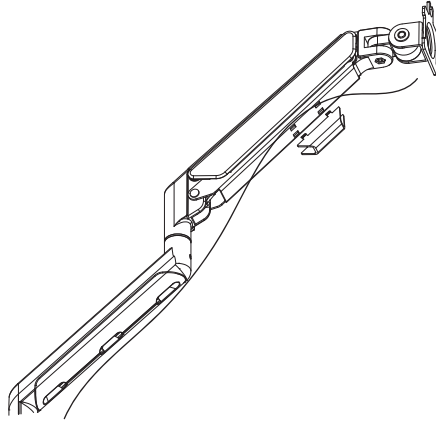


(+) Turn clockwise to tighten

(-) Turn counterclockwise to loose

G

STEP 7



STEP 8

