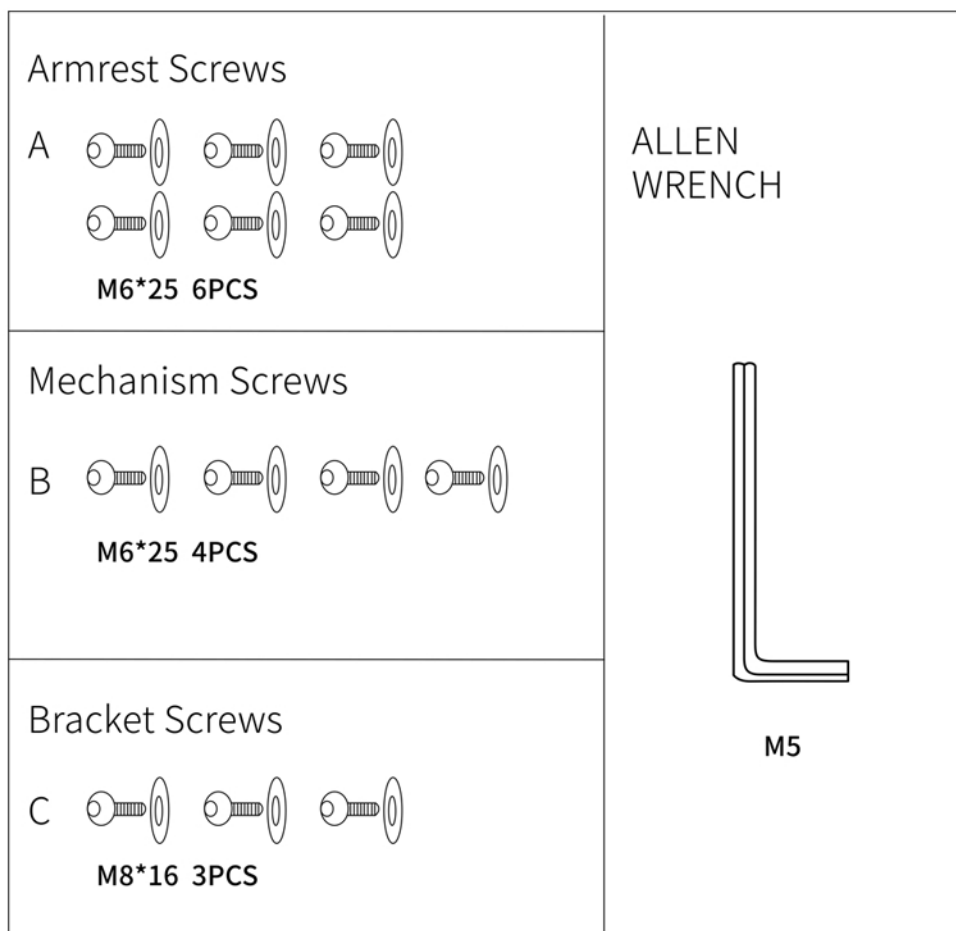
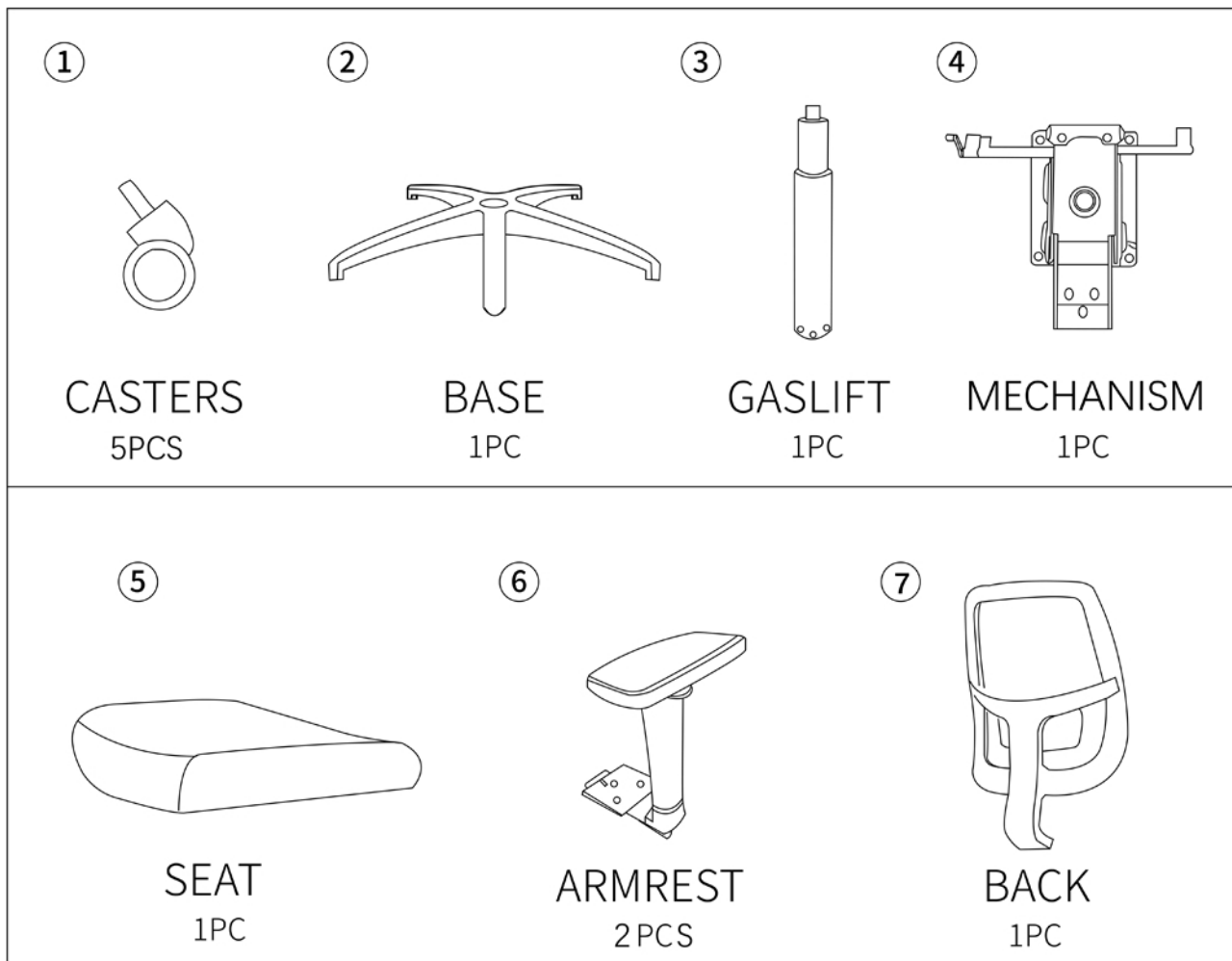
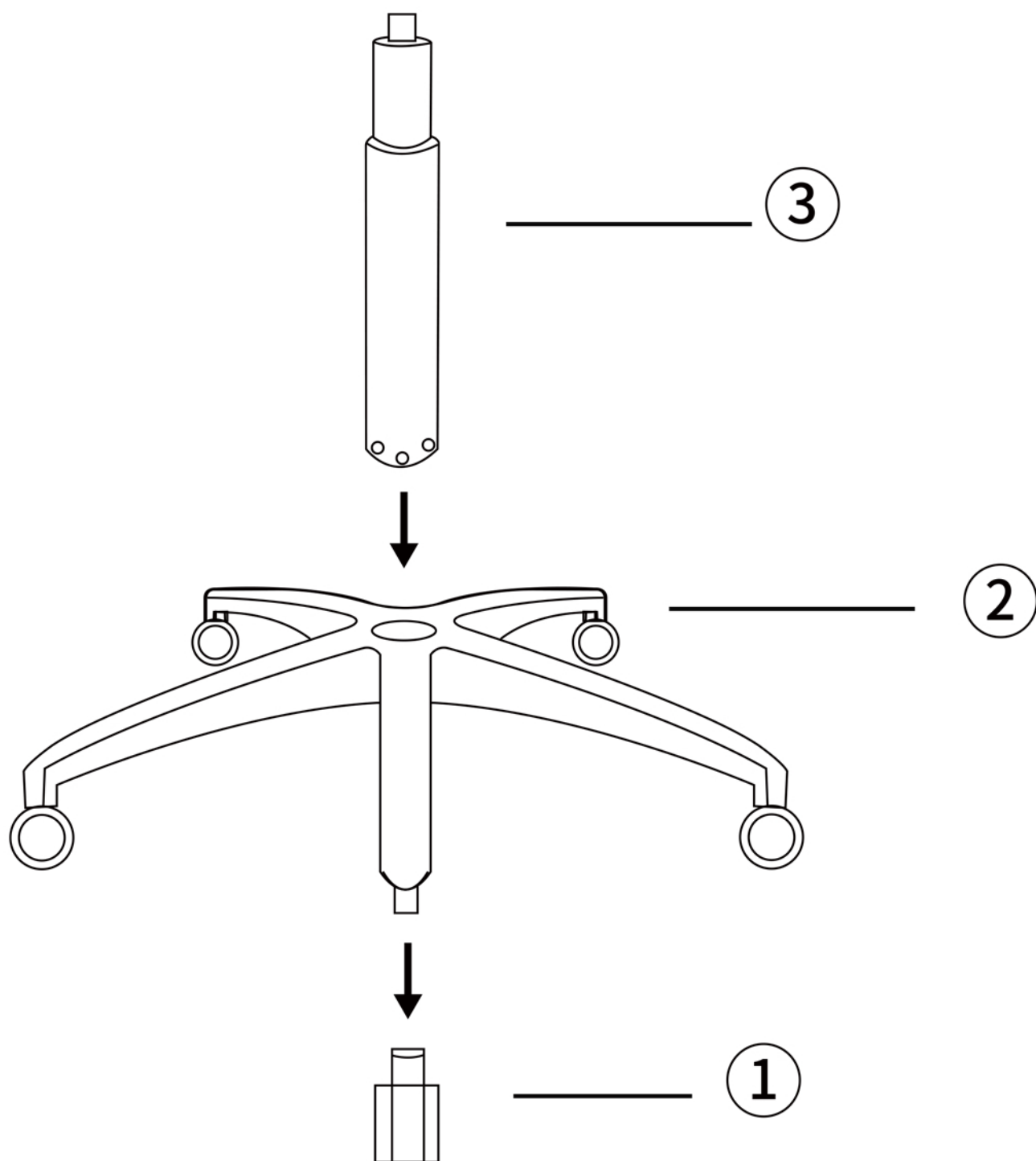


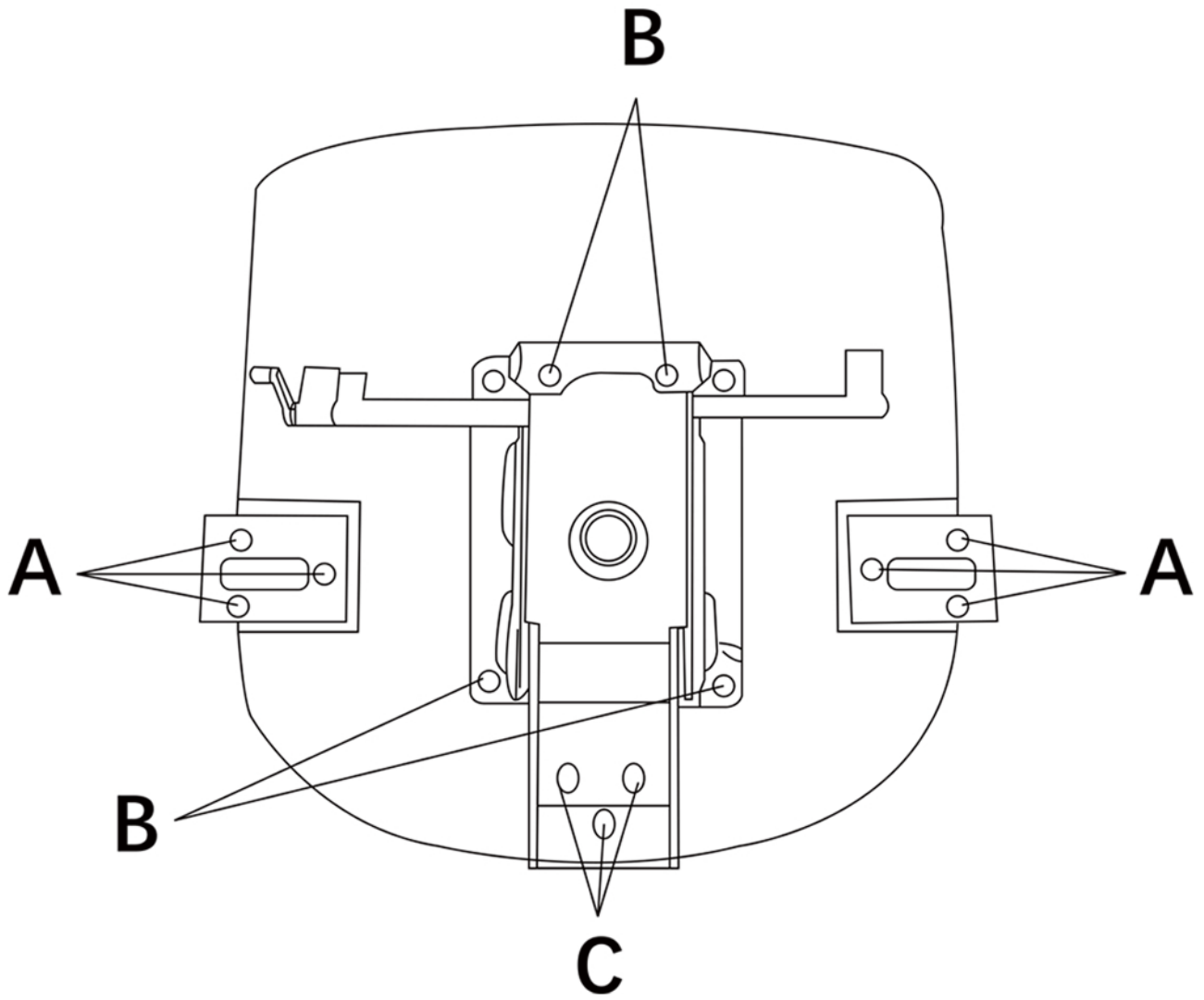
Manual CT2



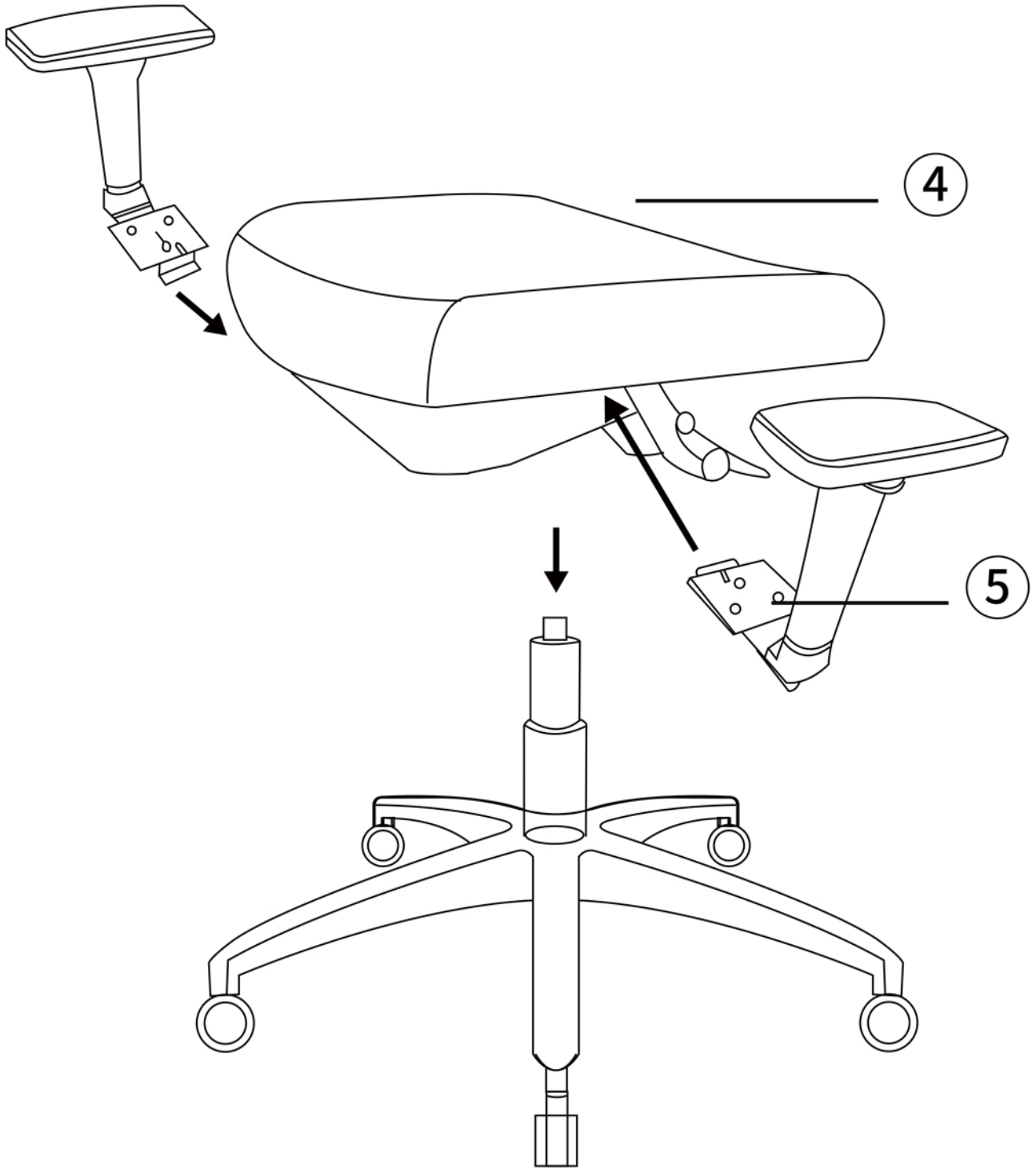


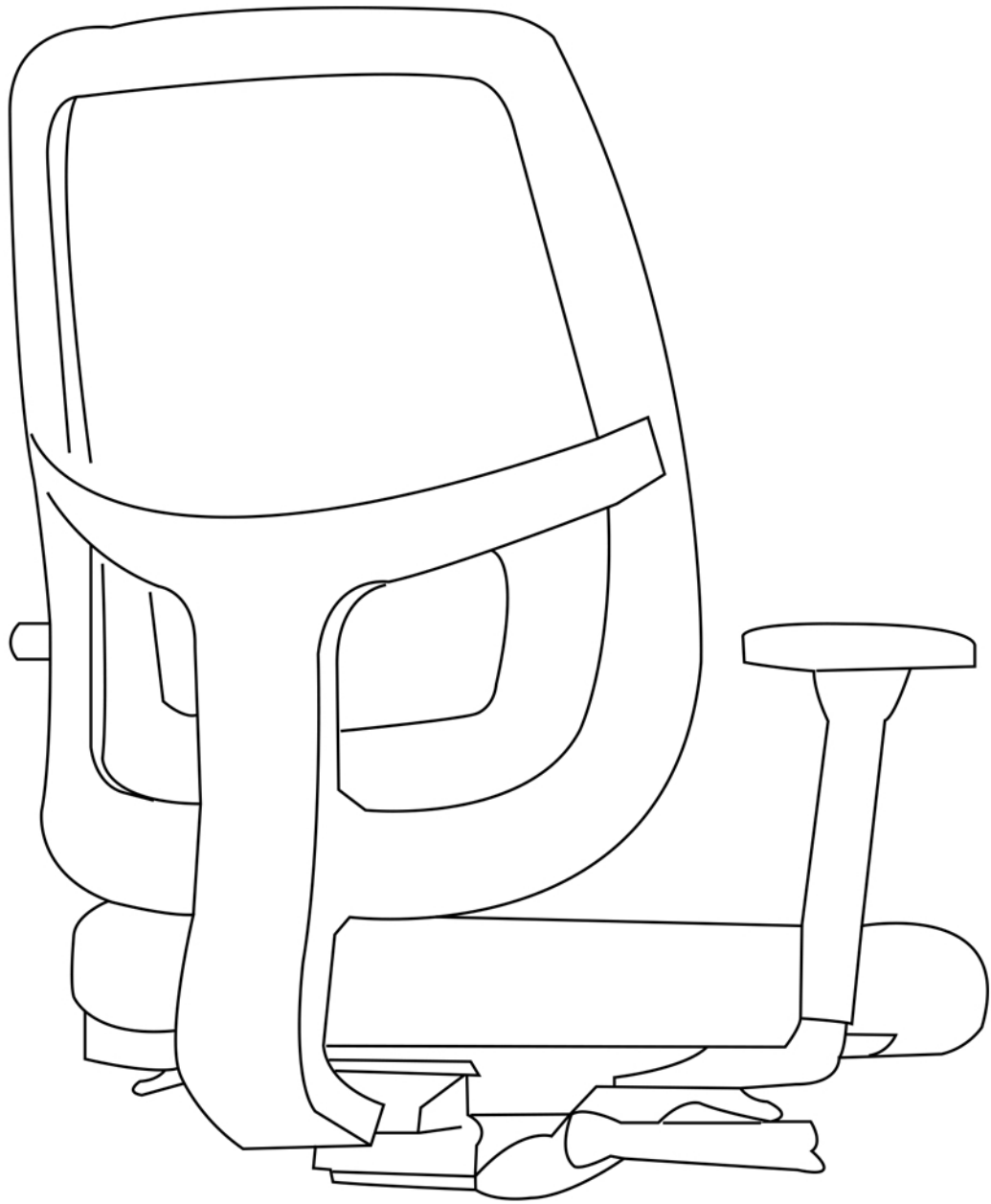
Step 1





Step 3





C

