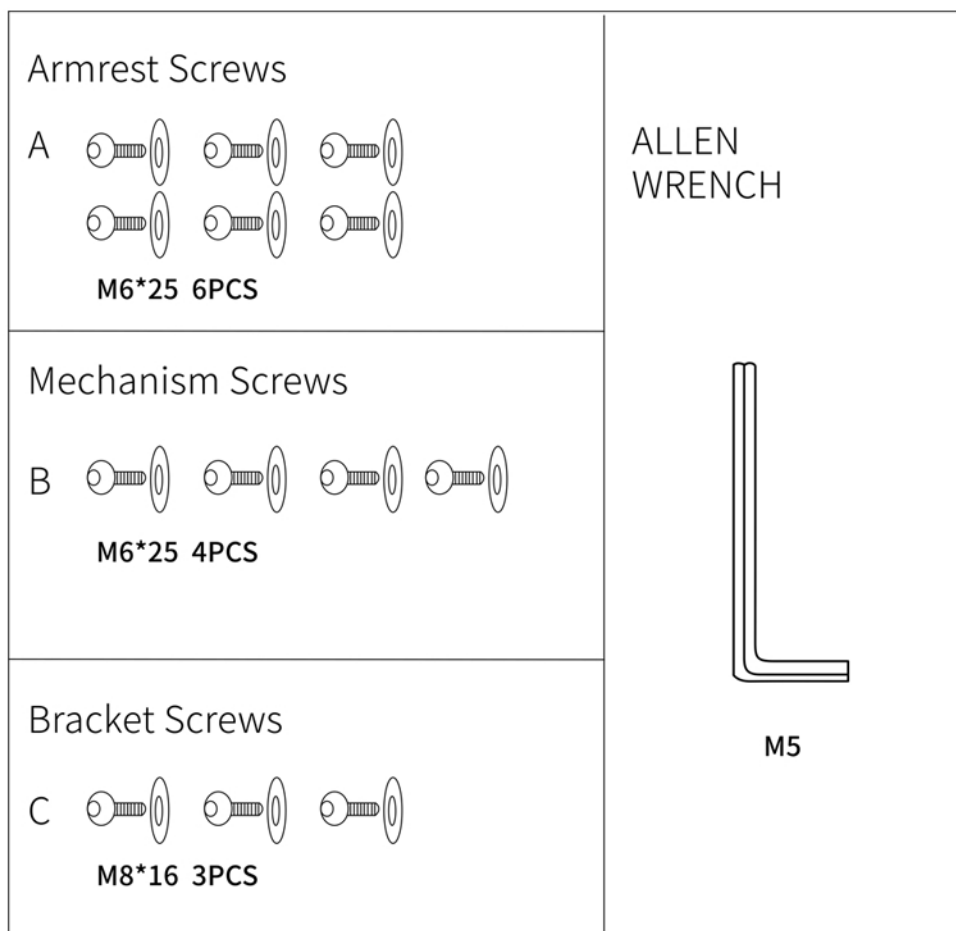
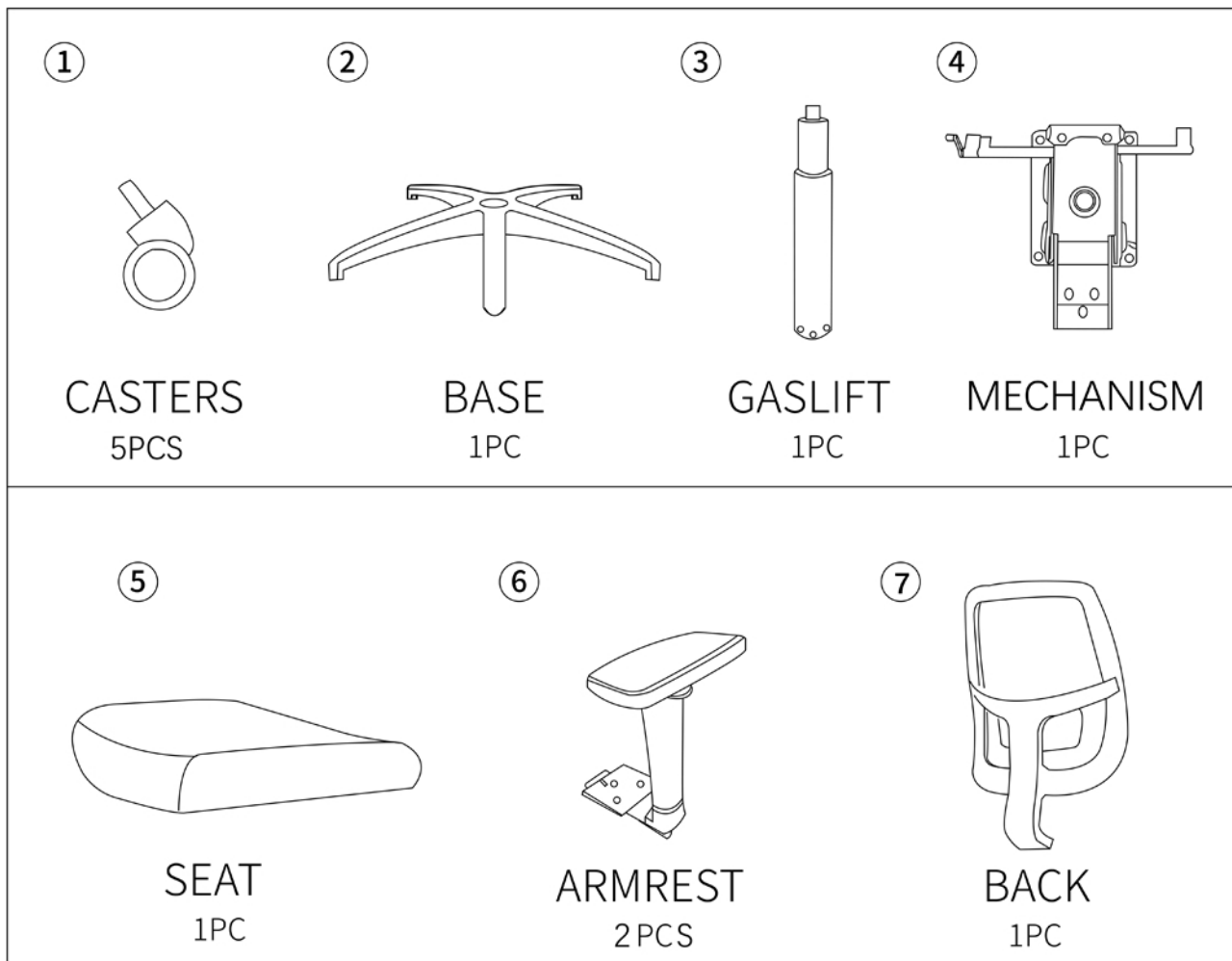
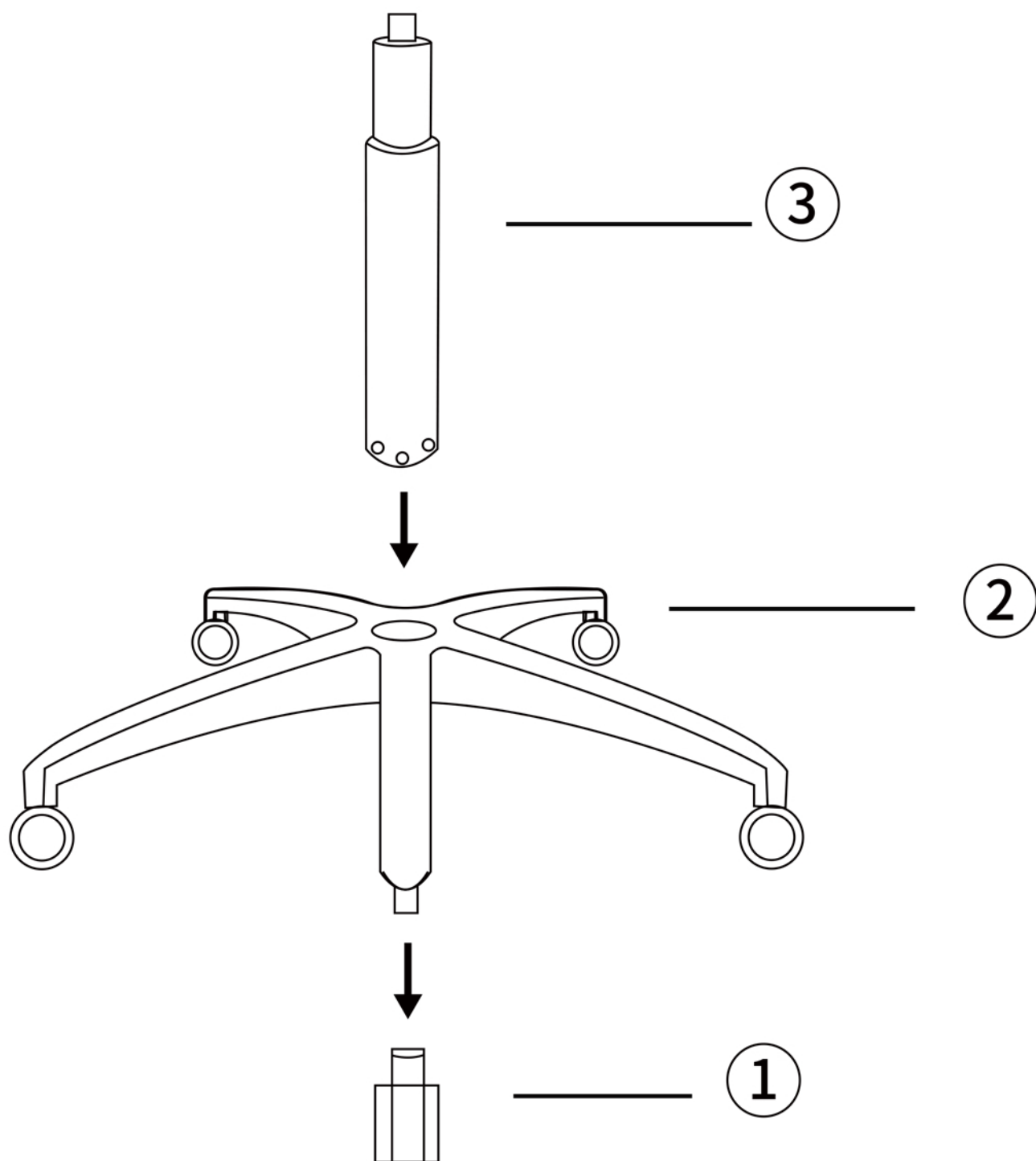


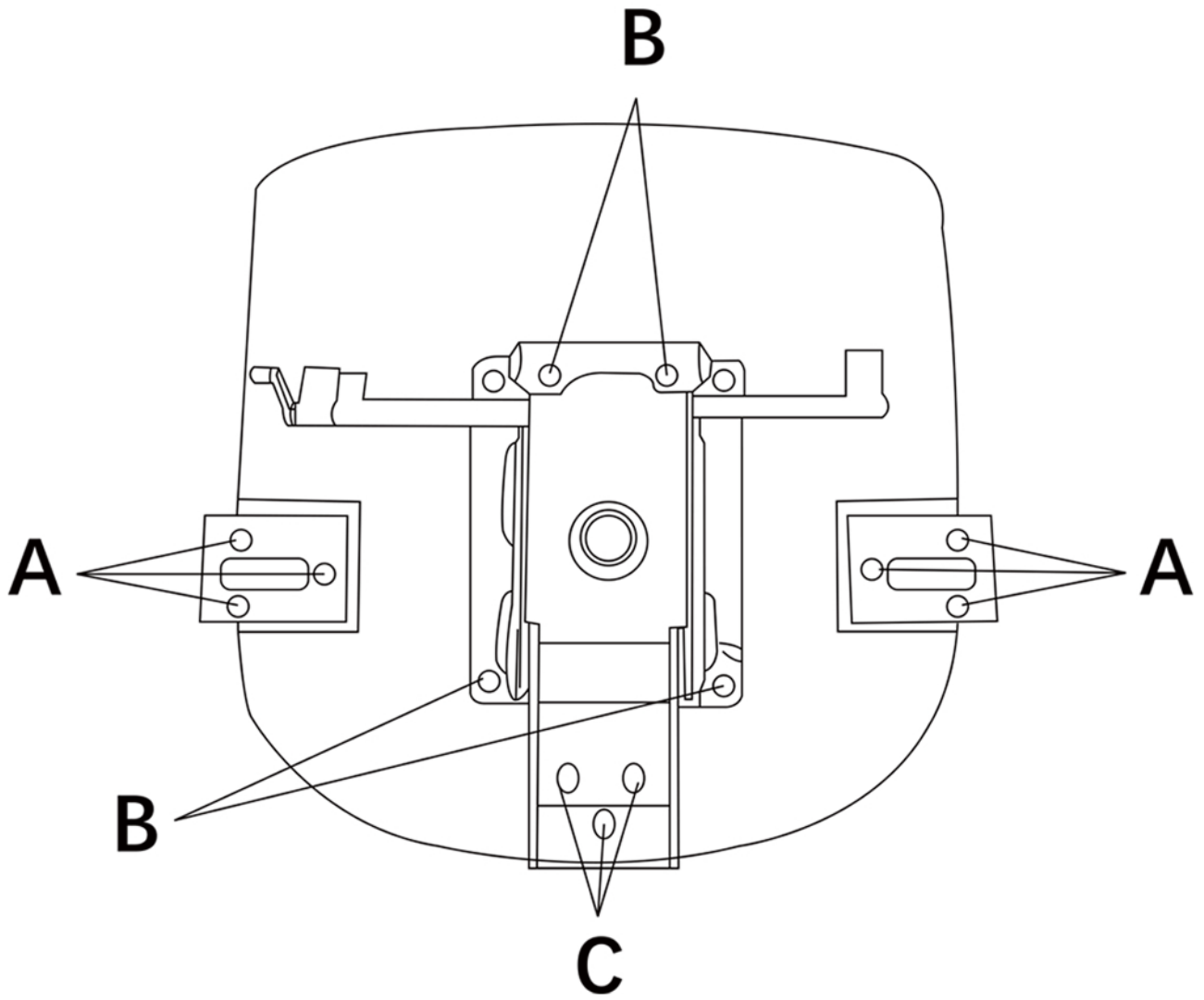
# Manual CT1



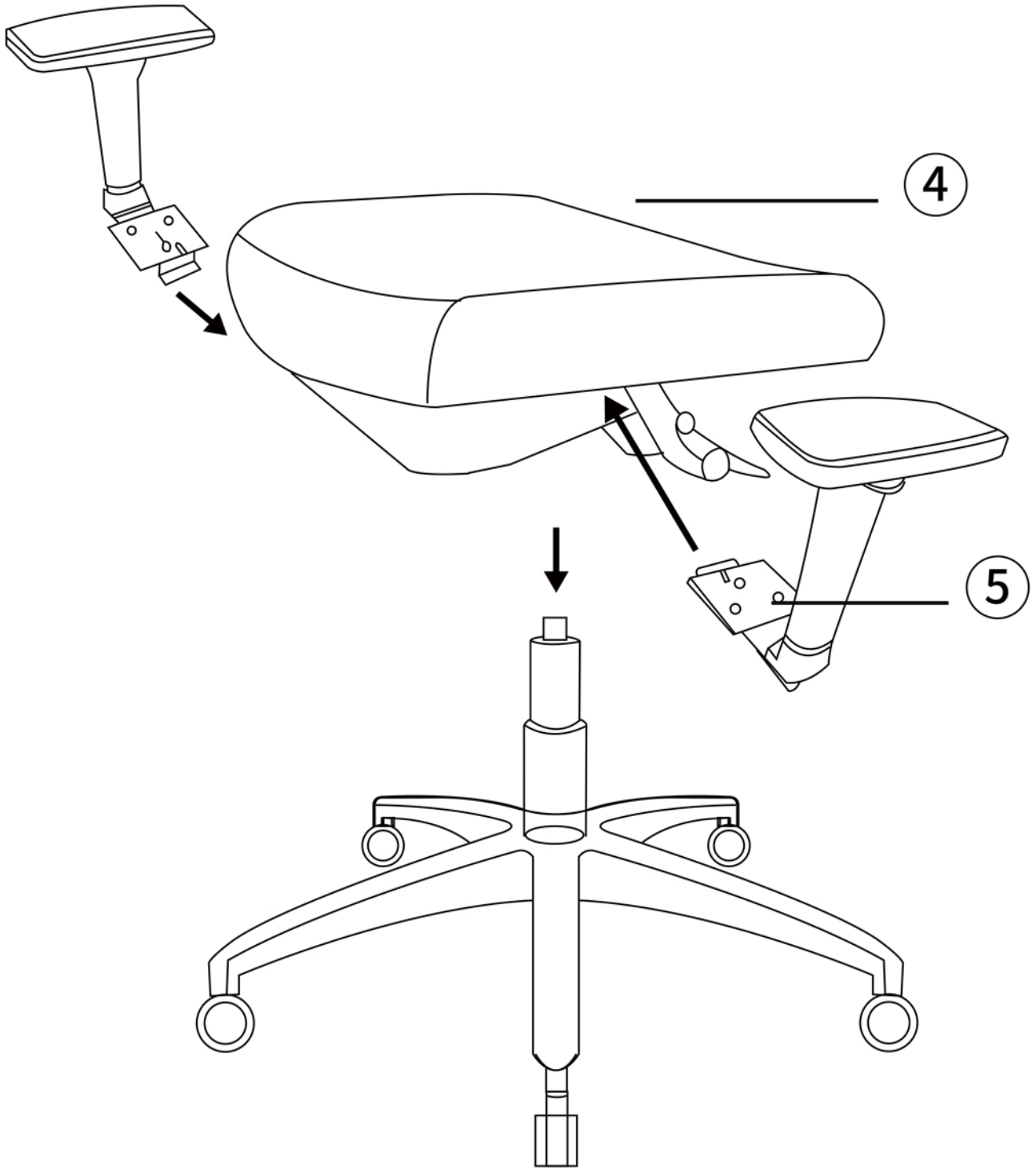


# Step 1

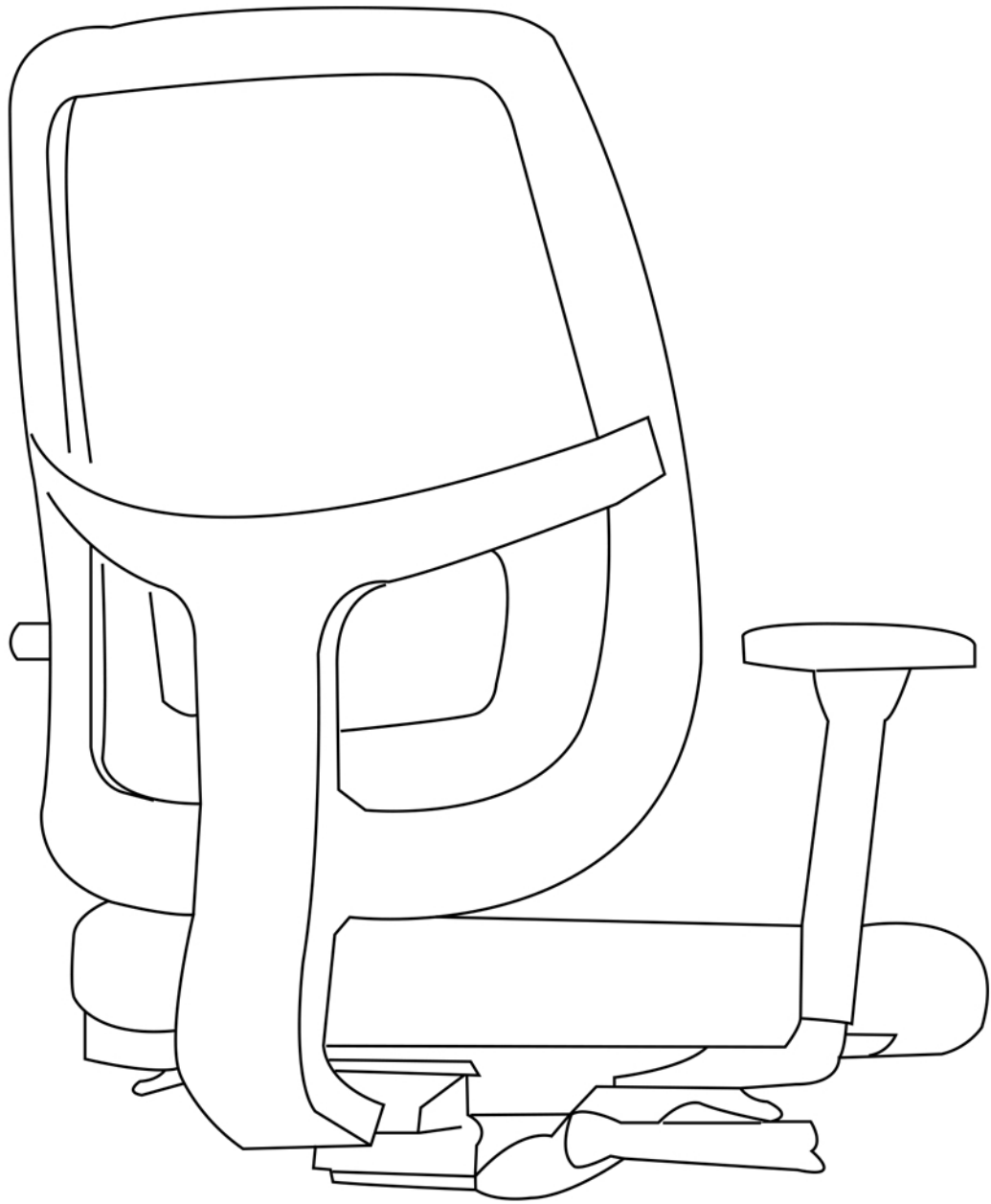




# Step 3



Step 4 /



**C**

