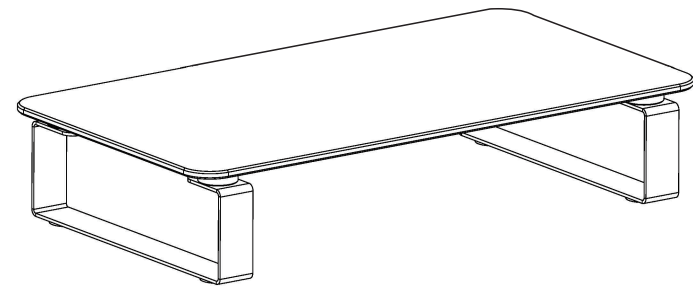


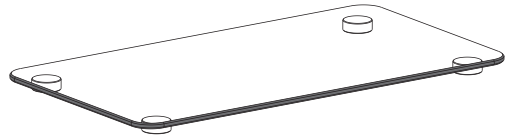
INSTALLATION MANUAL

Universal Tabletop Monitor Riser

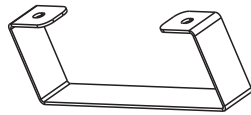
V1.0



Component Checklist



A (x1)



B (x2)



C (x4)

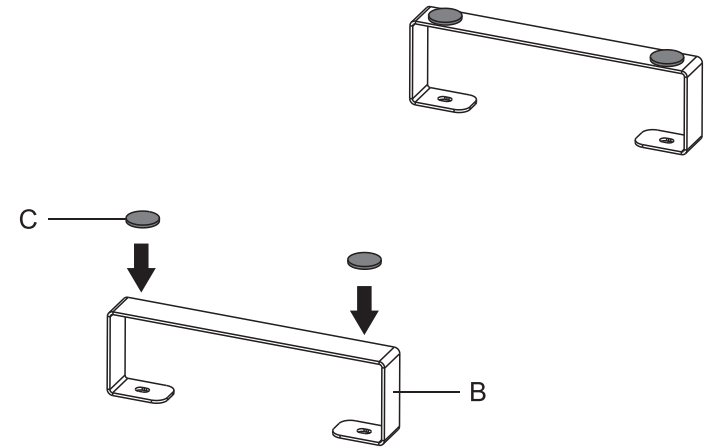


D (x4)



4mm Allen key (x1)
E

1.



2.

