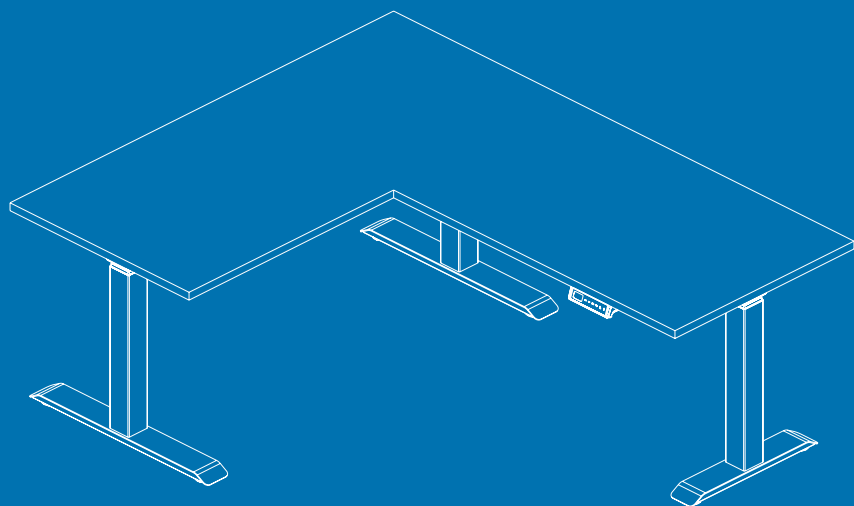
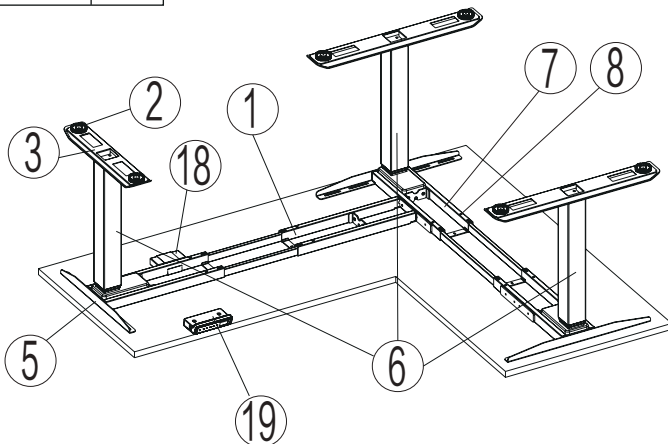
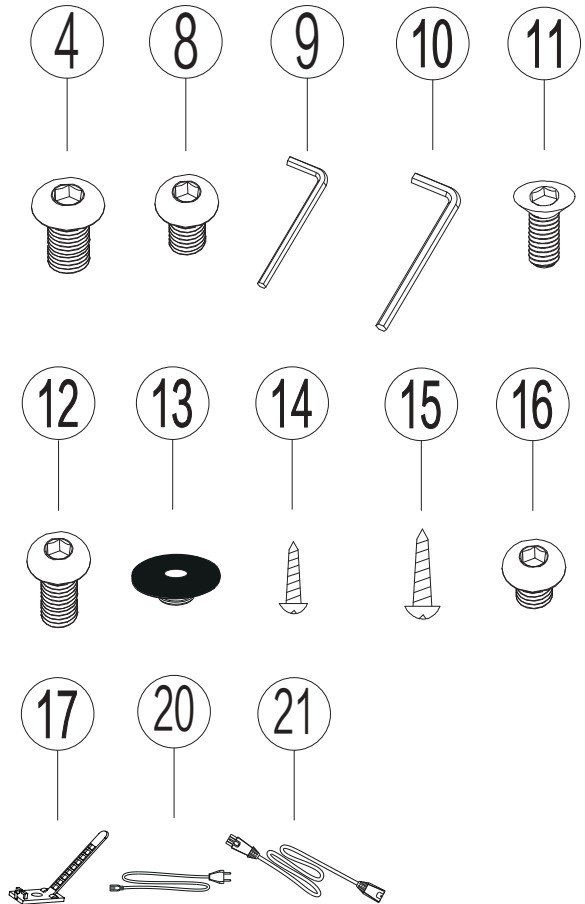


**Assembly instructions**  
**Notice de montage**  
**Montage instructies**  
**Montageanleitung**  
**Istruzioni di montaggio**  
**Instrucciones de montaje**  
**Инструкция по сборке**  
**Instrukcje montażu**

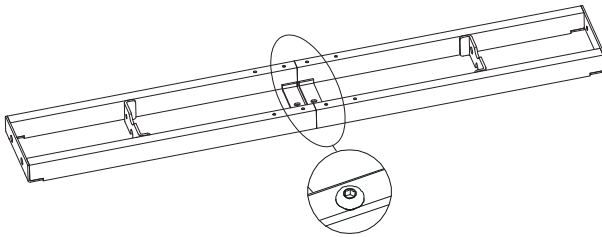
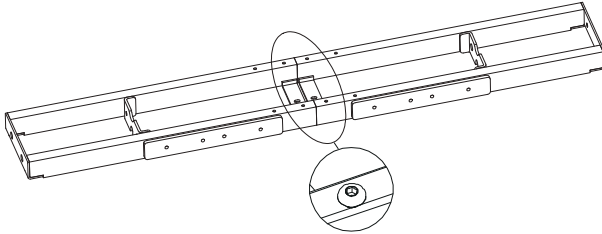


# PARTS AND TOOLS LIST

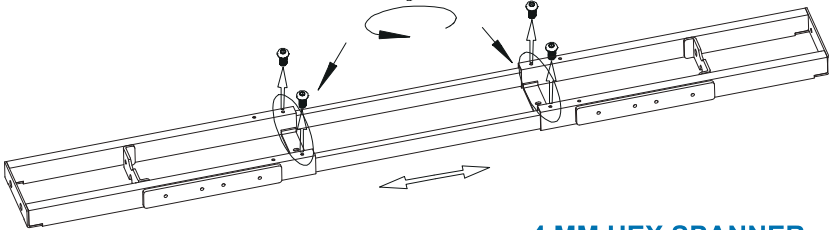
NO	Name	Qty
1	Support Beam2	1
2	Foot Pad	6
3	Foot Margin	3
4	M8*16 Screw	12
5	Bracket	3
6	Legs	3
7	Support Beam1	1
8	M6*10 Screw	8
9	4mm Hex Spanner	1
10	5mm Hex Spanner	1
11	M6*12 Screw	18
12	M6*16 Screw	6
13	Rubber Cushion	16
14	ST3.5*19 Screw	7
15	ST4.8*19 Screw	16
16	M6*8 Screw	2
17	Cable Clip	5
18	Adaptor	1
19	Handset	1
20	Power Cable	1
21	50cm Extension Cable	1



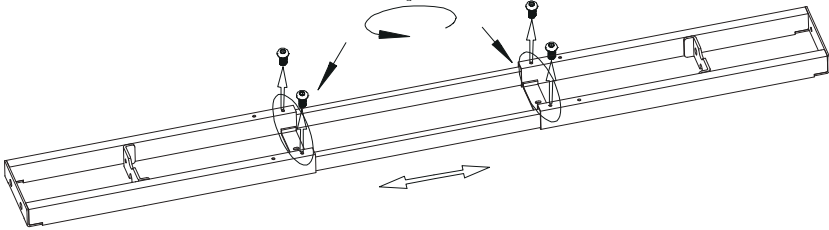
**STEP 1**

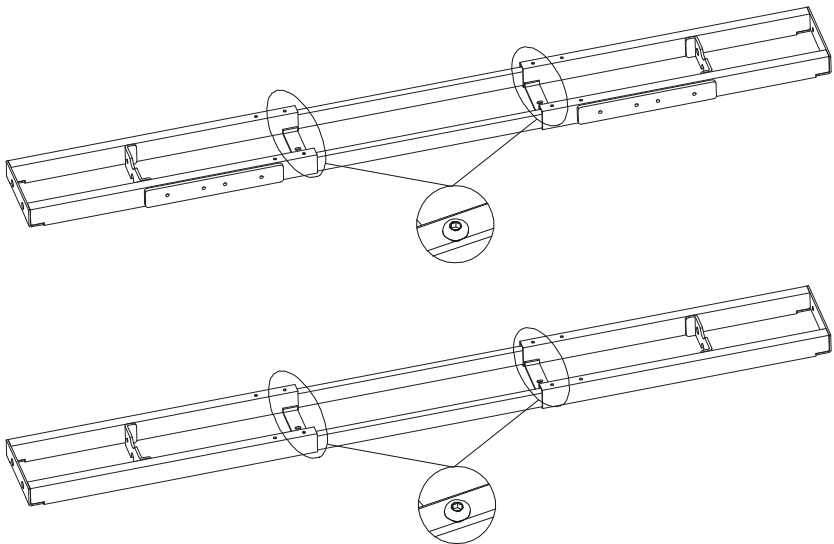
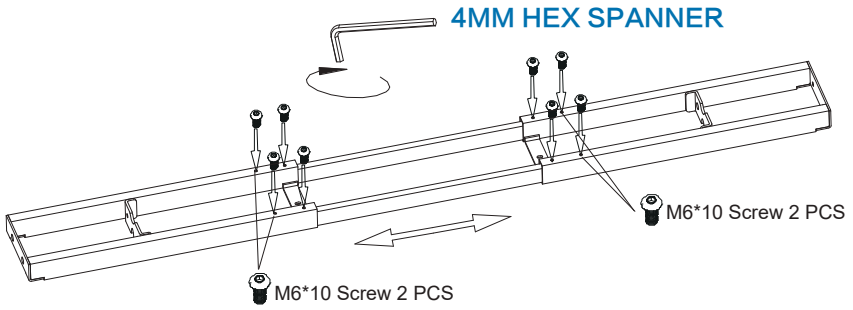
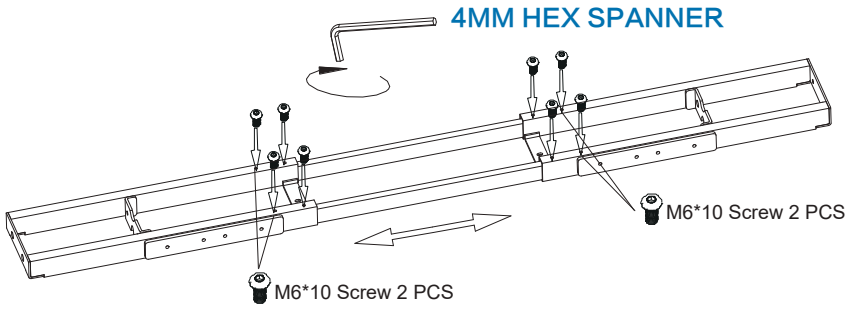


**4 MM HEX SPANNER**

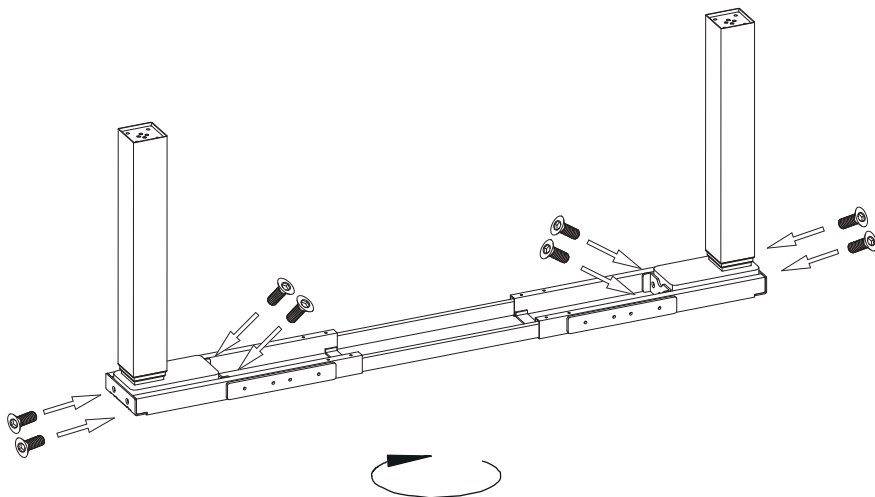


**4 MM HEX SPANNER**

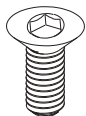




## STEP 2



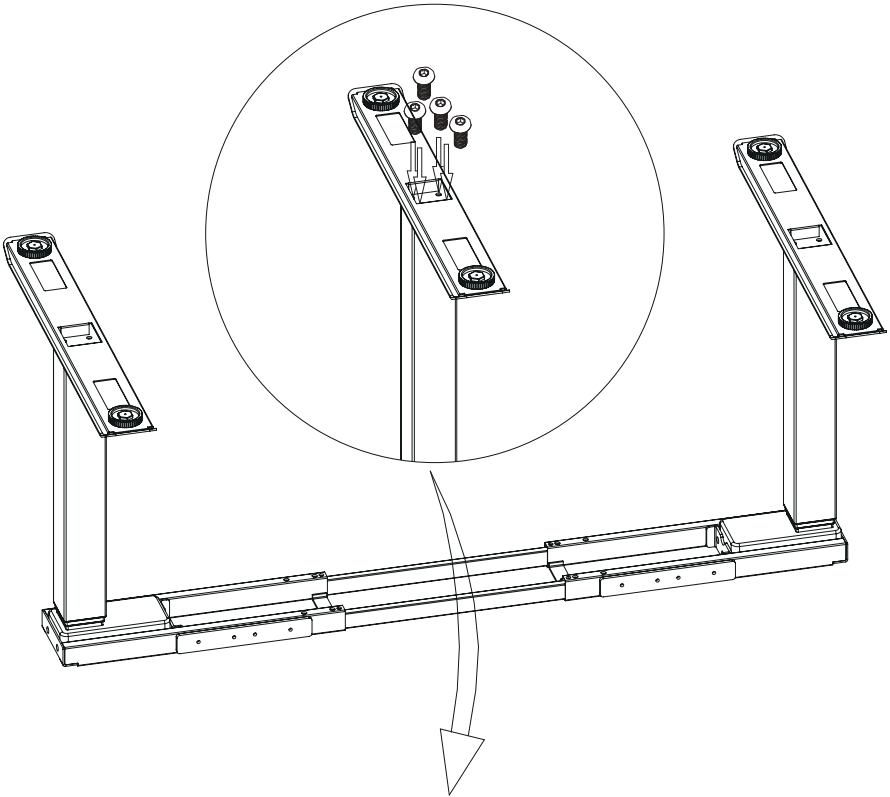
**M6\*12 SCREW 8PCS**



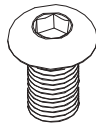
**4MM HEX SPANNER**



**STEP 3**



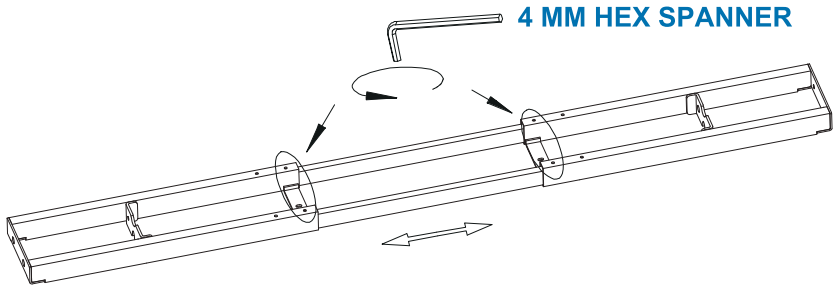
**M8\*16 SCREW 8PCS**



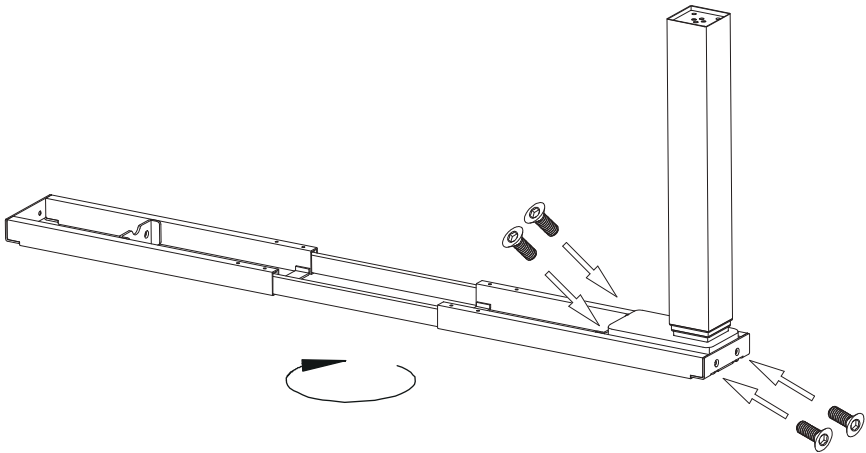
**5MM HEX SPANNER**



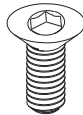
**STEP 4**



**4 MM HEX SPANNER**



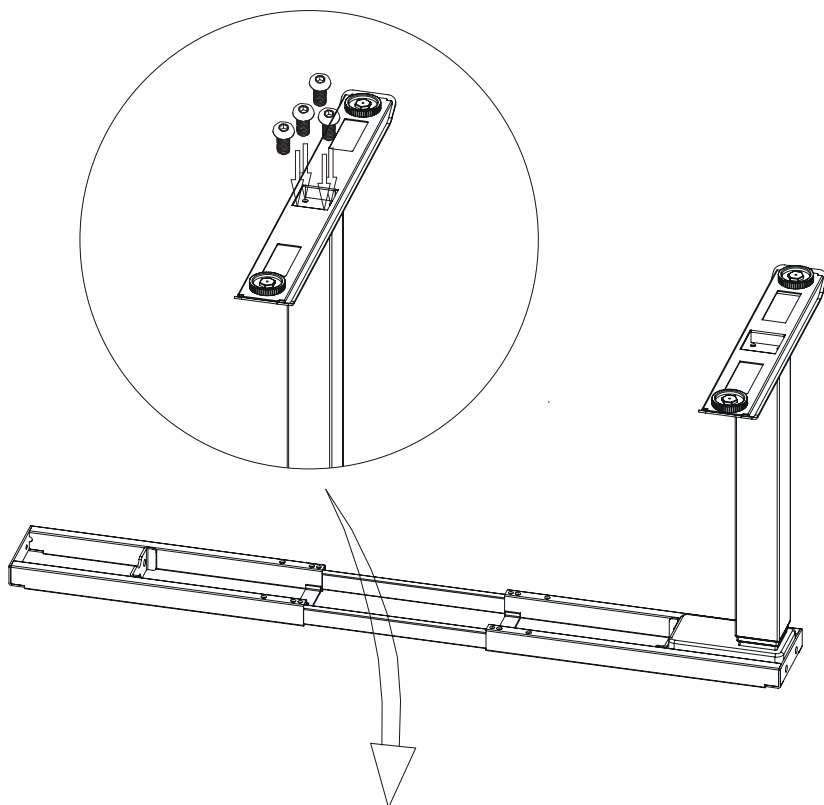
**M6\*12 SCREW 4PCS**



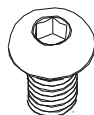
**4MM HEX SPANNER**



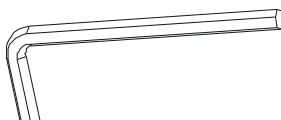
**STEP 5**



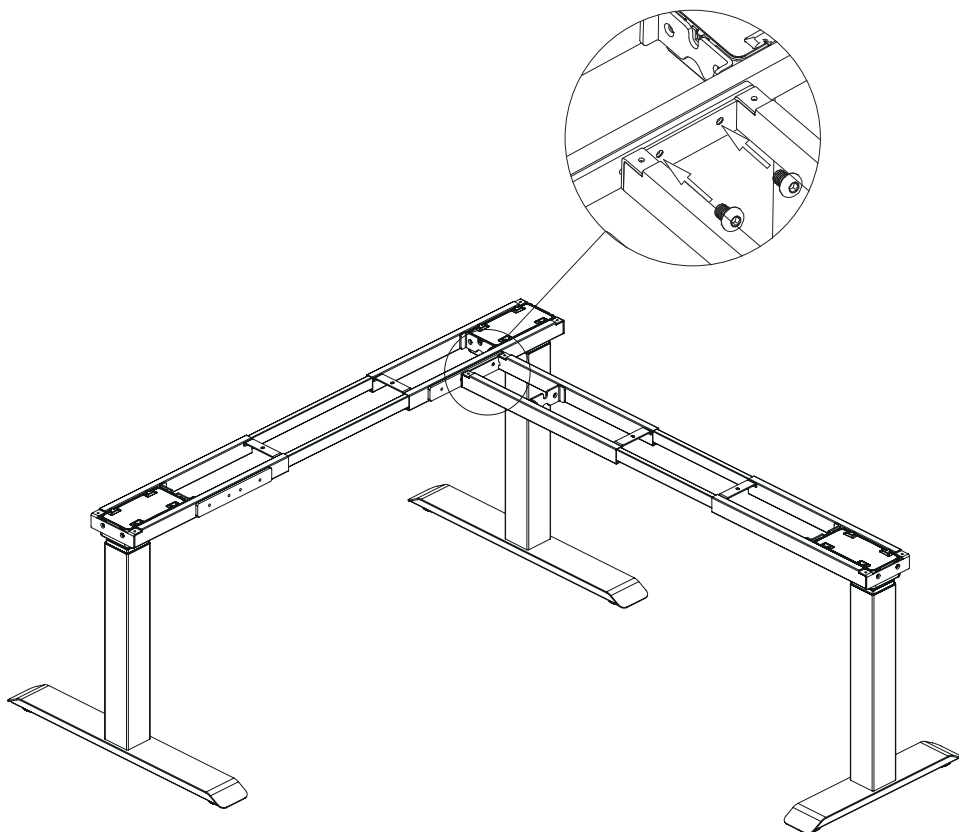
**M8\*16 SCREW 4PCS**



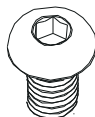
**5MM HEX SPANNER**







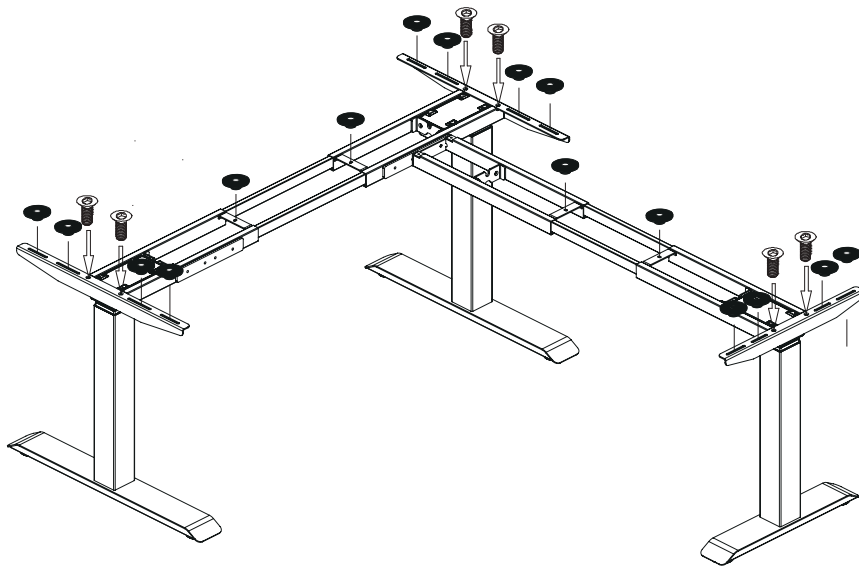
**M6\*8 SCREW 2PCS**



**4MM HEX SPANNER**



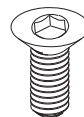
**STEP 7**



**RUBBER CUSHION 16PCS**



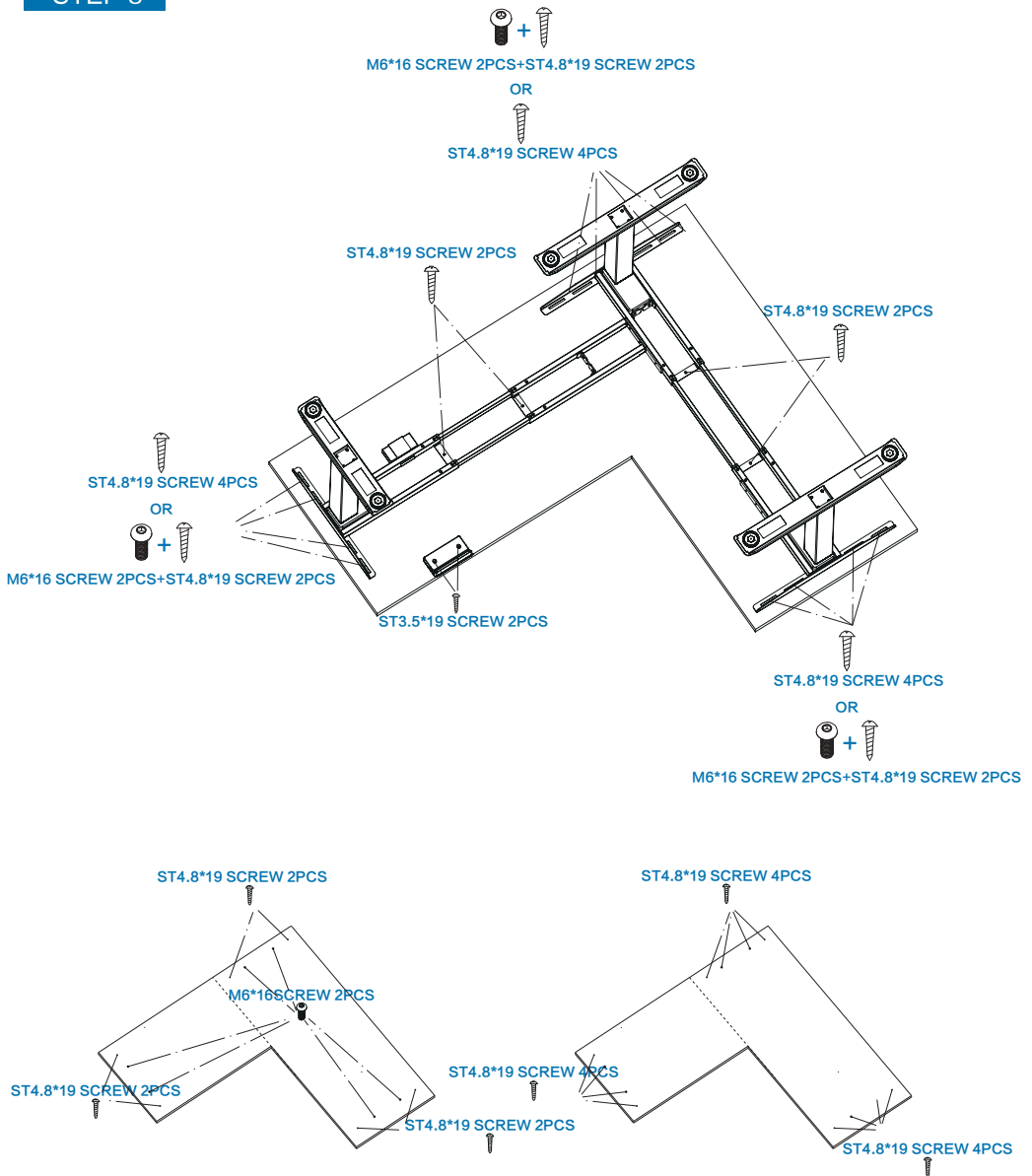
**M6\*12 SCREW 6PCS**



**4MM HEX SPANNER**



## STEP 8



EN: Do not use ST4.8\*19 screws for a table top that is thinner than 20 mm

FR: N'utilisez pas les vis ST4.8\*19 pour un plateau de table plus mince que 20 mm

NL: Gebruik geen ST4.8\*19 schroeven voor een tafelblad dat dunner is dan 20 mm

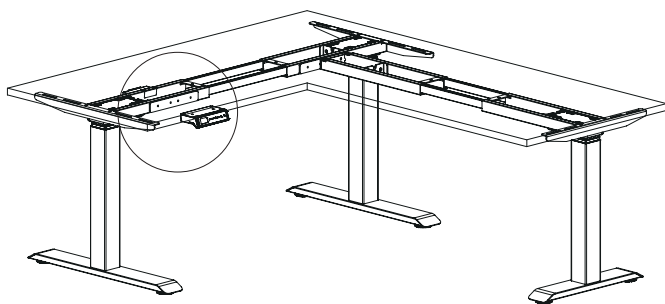
IT: Non usi ST4.8\*19 viti per un piano da tavolo più sottile di 20 mm

ES: No utilice tornillos ST4.8\*19 para un tablero de mesa que sea más delgado que 20 mm

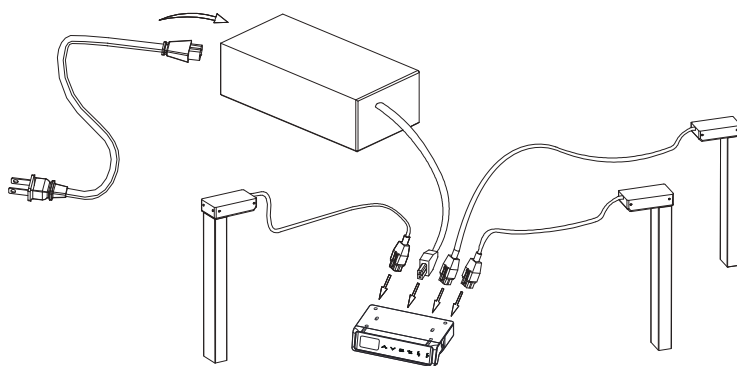
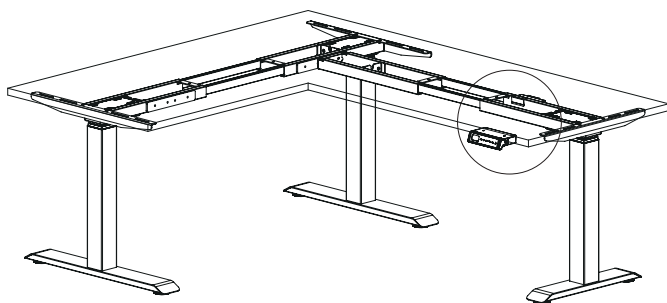
DE: Verwenden Sie keine Schrauben ST4.8\*19 für eine Tischplatte, die dünner ist als 20 mm

RU: Не используйте ST4.8\*19 винтов для столешницы, которая тоньше 20 мм

PL: Nie należy używać ST4.8\*19 śrub do blatu, która jest cieńsza 20 mm



or



MAX.  
**150**



ST3.5\*19 SCREW 5PCS



CABLE CLIP

